

# SWISHER

**MANUFACTURING QUALITY LAWN CARE EQUIPMENT SINCE 1945**

## **Owner's Manual**

### **GC-14**



**IMPORTANT**  
*Read and follow all  
Safety Precautions  
and Instructions  
Before Operating this  
Equipment.*

## **14 Cubic Ft. Garden Cart**



**Made In CHINA**

**1602 CORPORATE DRIVE, PO BOX 67, WARRENSBURG, MISSOURI 64093**  
**PH 660.747.8183 FAX 660.747.8650**  
**[swisherinc.com](http://swisherinc.com)**



## RULES FOR SAFE OPERATION

Preventing accidents is the responsibility of every equipment operator. The following general safety precautions must be fully understood and followed by every operator.

1. Do not at any time carry passengers in this cart. It is designed for carrying materials only and not intended to carry passengers.
2. Be careful on any grade (hill) and stay off of steep grades.
3. Use caution when loading cart to avoid tipping.
4. Avoid large holes and ditches when transporting loads.

Your Farm/Yard Cart carton contains a hardware package with parts as shown in the chart below and in figure 1.

### Contents of Hardware Pack: (See figure 1)

REF.	QTY.	DESCRIPTION
A	6	Screws, M6X50
B	2	Screws, M6X40
C	8	Screws, M6X30
D	21	Screws, M6X25
E	4	Cotter Pins
F	37	Hex Nuts, M6
G	33	Flat Washer, $\Phi 6$
H	4	Lock Washer, $\Phi 6$
I	4	Large Flat Washer

### HARDWARE REFERENCE CHART

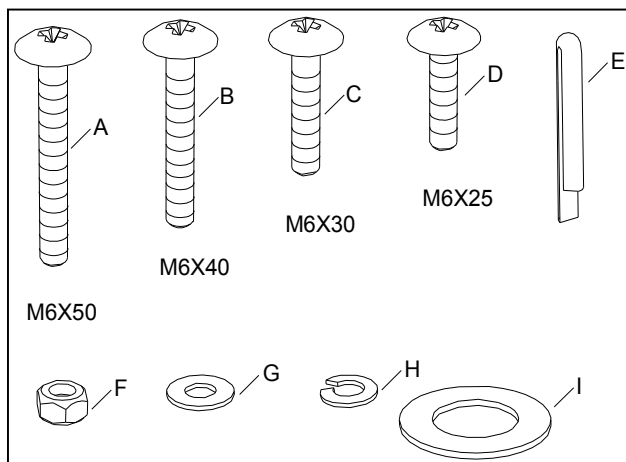


FIGURE 1

## ASSEMBLY INSTRUCTIONS

### TOOLS REQUIRED

- (1) Screw Driver
- (1) Pliers
- (1) 10mm Wrench

When assembling your cart, place the heads of all screws to the inside and hex nuts with flat washers to the outside.

1. Lay the front angle assembly down (flat) on floor and stand the bottom panel in position as shown in figure 2.



### NOTE

The bottom panel has one galvanized edge; this is the rear. The front edge has three holes. See figure 2.

2. Line up three holes in bottom panel with holes in front angle assembly. Start three M6X25 screws through bottom panel, then through angle. Secure screws with flat washers and hex nuts. **Make only Finger tight at this time.** See figure 2.

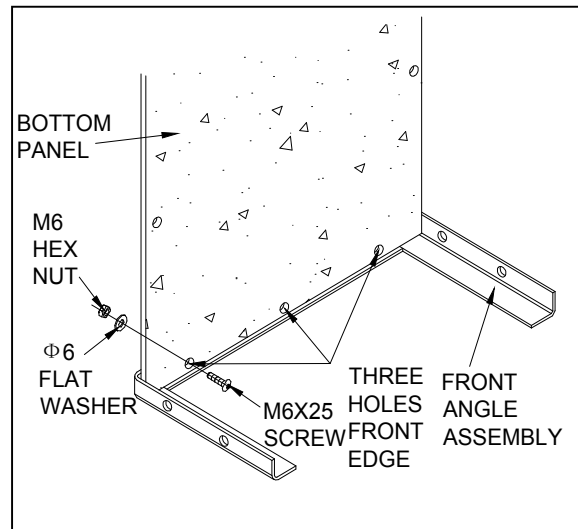
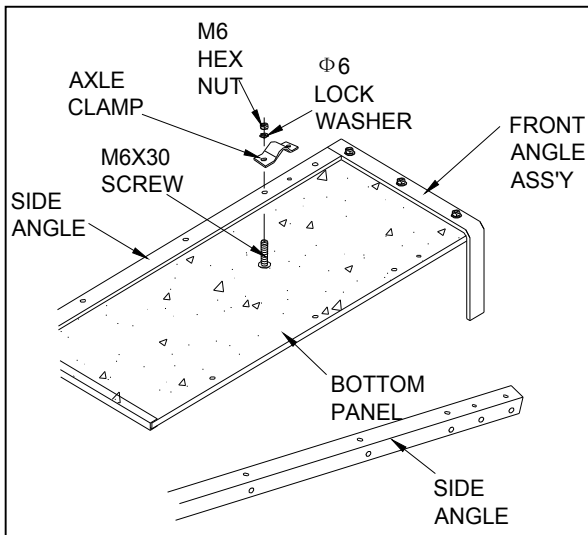


FIGURE 2

3. Turn the front angle assembly and bottom panel upside down as shown in figure 3.

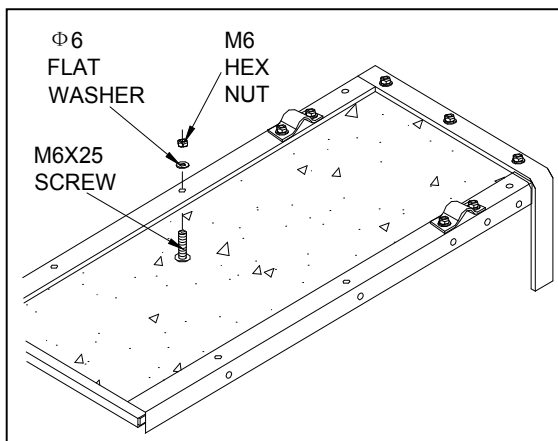
4. Lay each side angle on the bottom panel so that the two holes (for the axle clamp) are closer to the front angle assembly. See figure 3.

5. Secure both axle clamps to the side angles and the bottom panel using four M6X30 screws, lock washers and hex nuts. **Make only finger tight** until the axle is assembled. See figure 3.



**FIGURE 3**

6. Assemble four M6X25 screws, flat washers and hex nuts to the side angles and bottom panel using the holes on each side of the axle clamps. **Tighten the four nuts.** See figure 4.



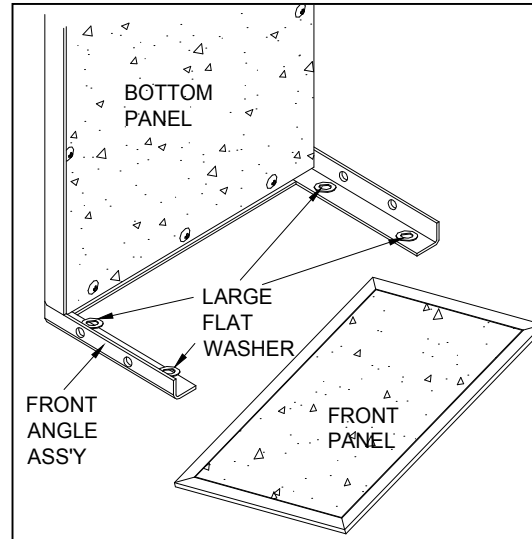
**FIGURE 4**

7. Stand the cart on end with the front angle assembly down on the floor. Temporarily place the four large flat washers (axle washers) on the inside of front angle assembly. See figure 5.



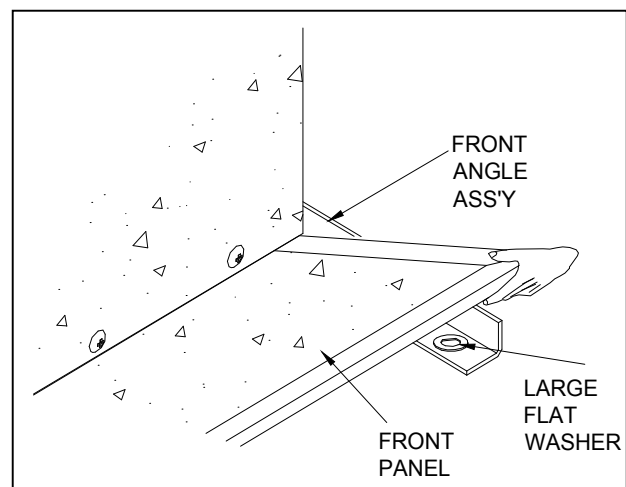
**NOTE**

**These washers act as shims and are just for assembly purposes. You will remove them later to use on axle.**



**FIGURE 5**

8. Lay the front panel down onto the front angle assembly, on top of the four large washers. See figure 6.

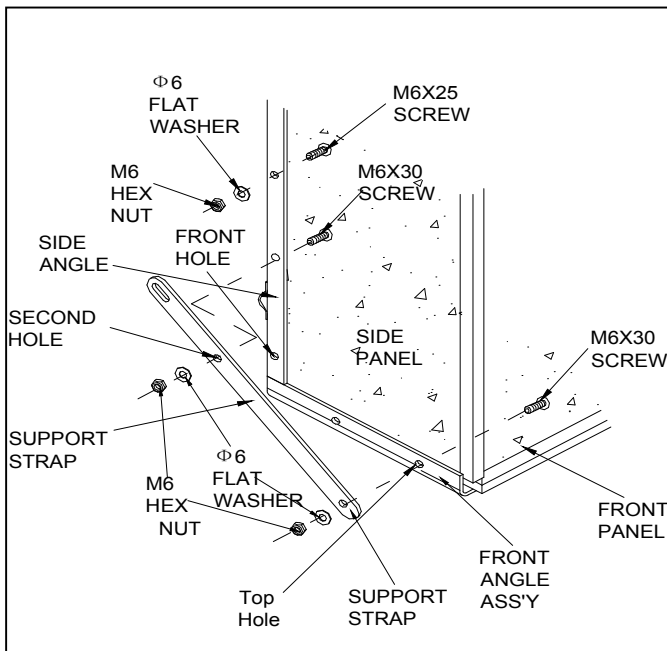


**FIGURE 6**

9. Position a Side Panel against a Side Angle, resting it down on top of the front panel. Place a support strap on the outside of the side angle and start a M6X30 screw through the **second hole** in the side panel, the side angle and the support strap. Secure with a flat washer and hex nut. **Make only finger tight at this time.** See figure 7.

10. Start a M6X30 screw through the top hole in the side panel, the front angle assembly and the support strap. Secure with a flat washer and hex nut. **Make only finger tight at this time.** See figure 7.

11. Repeat steps 9 and 10 for the other side panel.

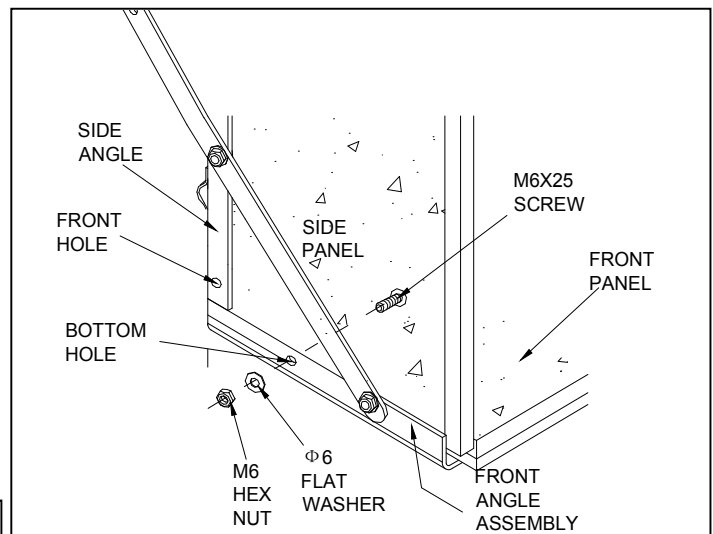


**FIGURE 7**

12. Start one M6X25 screw through the bottom hole in the side panel and the front angle assembly. Start another M6X25 screw through the front hole in the side panel and the side angle. Secure with two flat washers and two hex nuts, **making only finger tight at this time.** see figure 8.

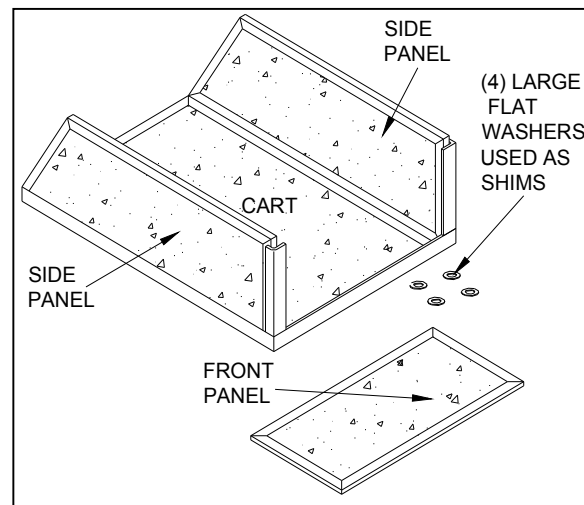
13. Repeat step 12 for the other side panel.

14. **Tighten** all nuts and screws securely at this time, except for nuts and screws in axle clamps. See figure 8.



**FIGURE 8**

15. Lay the cart down the floor so that the sides are in the normal upright position. remove the front panel by sliding it up, then remove the four large washers you used for shims. See figure 9.

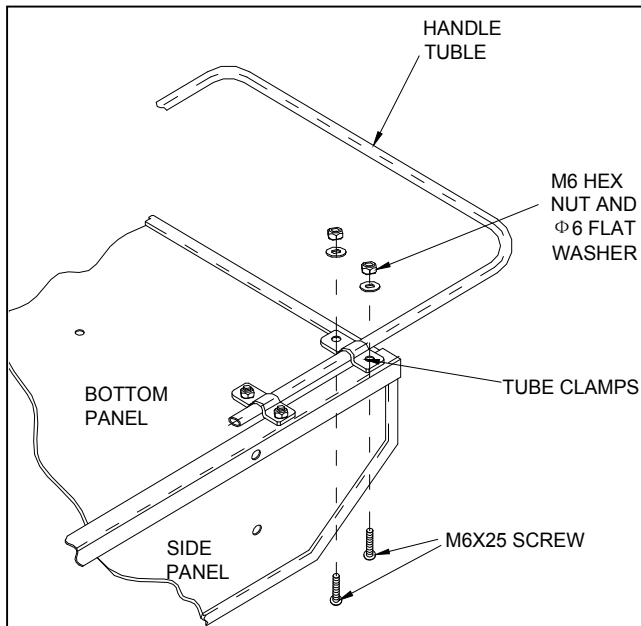


**FIGURE 9**

16. Turn the cart upside down. Place the handle tube on the bottom of the cart as shown in figure 10. Place the four tube clamps over the handle tube, **with the longer leg of each tube clamp to the outside.** Secure the four tube clamps over the handle tube using eight M6X25 screws, eight flat washers and eight hex nuts. Make only finger tight until all eight screws are in place and then **tighten securely.** See figure 10.

**NOTE**

The length of the handle tube can be adjusted by sliding the tube in or out before tightening the four clamps. see figure 10.



**FIGURE 10**

17. Insert a M6X25 screw through the hole at the rear of each side panel and the hole at the rear of each side angle. Secure with  $\Phi 6$  flat washers and M6 hex nuts, **making only finger tight at this time.** See figure 11.

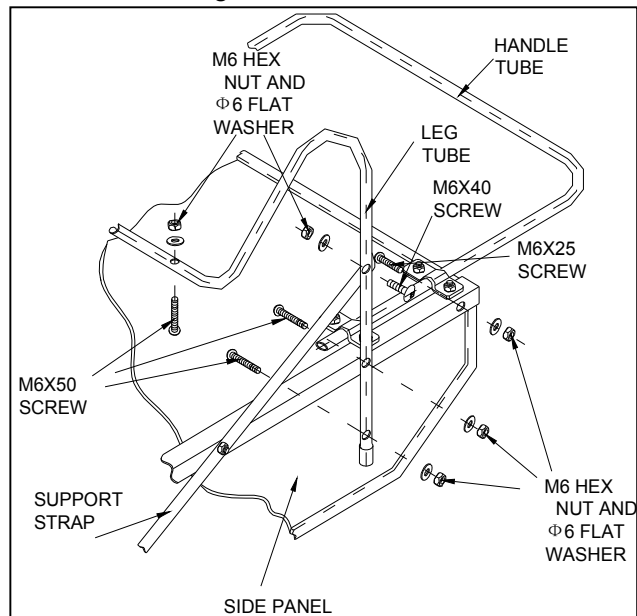
18. Place the tube caps on the ends of the "W" shaped leg tube. See figure 11.

19. With the cart still upside down, assemble the leg tube to the bottom of the cart. Line up the two holes in the center of the leg tube with the holes in the bottom of the cart. Secure the leg tube to the bottom of the cart with two M6X50 screws,  $\Phi 6$  flat washers and M6 hex nuts. **Make only finger tight at this time.** See figure 11.

20. Attach the leg tube to the side panels with four M6 x50 screw,  $\Phi 6$  flat washers and M6 hex nuts. **Make only finger tight at this time.** See figure 11.

21. Fasten the support straps to the leg tube with two M6X40 screws,  $\Phi 6$  flat washers and M6 hex nuts. See figure 11.

22. At this time tighten securely all screws and nuts assembled in figure 11.

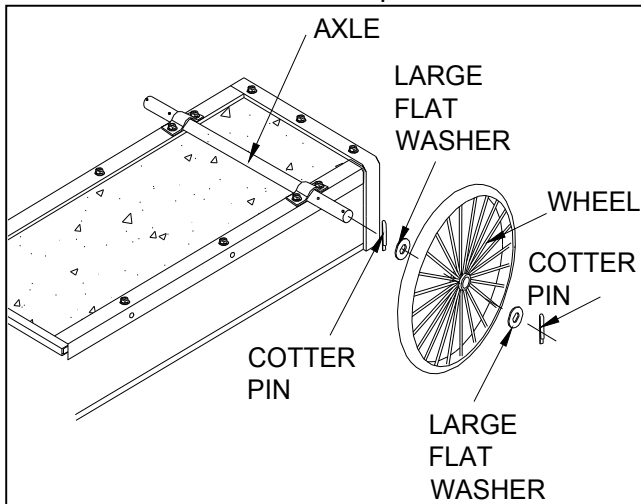


**FIGURE 11**

23. Slide the axle through the axle clamps. See figure 12.

24. Assemble a cotter pin to the inner hole at one end of the axle. Spread ends to lock into position. Place a large flat washer, a wheel and then another large flat washer onto the axle. Secure the wheel with a cotter pin assembled to the outer hole at the end of the axle. Repeat step for other wheel. See figure 12.

25. Center the wheels and axle side to side. **Tighten** the four nuts on the axle clamps.



**FIGURE 12**

26. Turn cart right side up, so that it rests on its wheels.

27. Place front panel in guides to complete assembly.

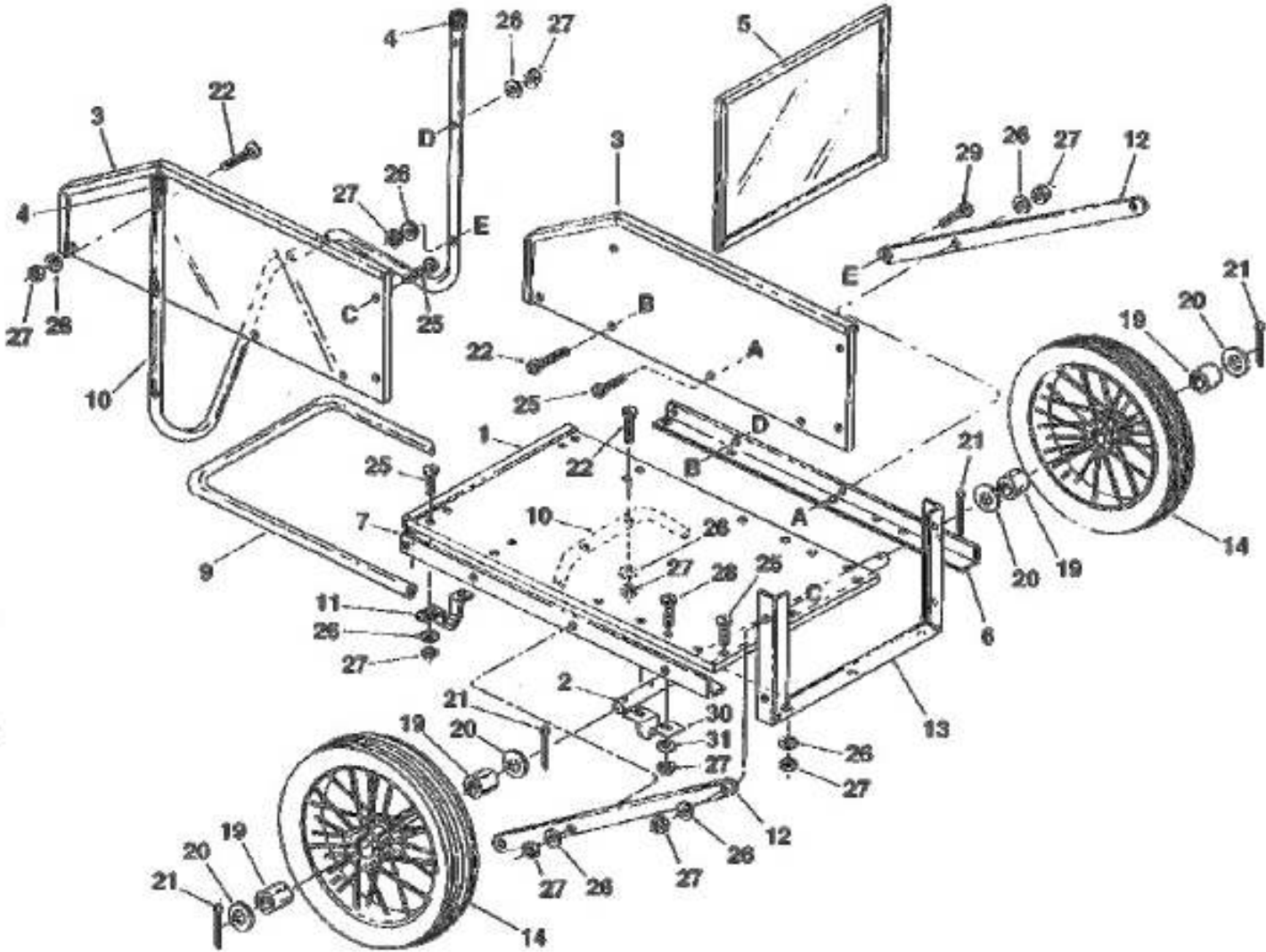
28. Your cart is now ready to use.

## MAINTENANCE

1. Grease or oil wheel bearings occasionally. Use automotive wheel bearing type grease or 20 weight oil.
2. Periodically retighten all screws, especially after heavy use. **Do not exceed load capacity rating of 400lbs.**
3. Clean cart thoroughly after each use.
4. Store indoors during severe weather.
5. Apply light coat of varnish to all wood surfaces annually.
6. Use glossy black enamel spray paint to touch up scratched or worn painted metal surfaces.

**RECOMMENDED TIRE PRESSURE 80-85 PSI**  
**MAXIMUM TIRE PRESSURE 85 PSI (600KPa)**

# 14 CU.FT. FARM/YARD CART



# SWISHER

**MANUFACTURING QUALITY LAWN CARE EQUIPMENT SINCE 1945**

## **Owner's Manual**

### **GC-14**



**IMPORTANT**  
**Read and follow all**  
**Safety Precautions**  
**and Instructions**  
**Before Operating this**  
**Equipment.**

## **ATV & LAWN ACCESSORIES**

**WHEN ORDERING PARTS, PLEASE HAVE THE  
FOLLOWING INFORMATION AVAILABLE:**

- \* **PRODUCT -** \_\_\_\_\_
- \* **SERIAL NUMBER -** \_\_\_\_\_
- \* **MODEL NUMBER -** \_\_\_\_\_
- TYPE -** \_\_\_\_\_
- \* **PART NUMBER WITH PAINT CODE**
- \* **PART DESCRIPTION**

**TELEPHONE - 1-800-222-8183**  
**FAX - 1-660-747-8650**

**SWISHER MOWER & MACHINE CO. INC.**  
**1602 CORPORATE DRIVE**  
**P.O. BOX 67**  
**WARRENSBURG, MO 64093**

**[swisherinc.com](http://swisherinc.com)**