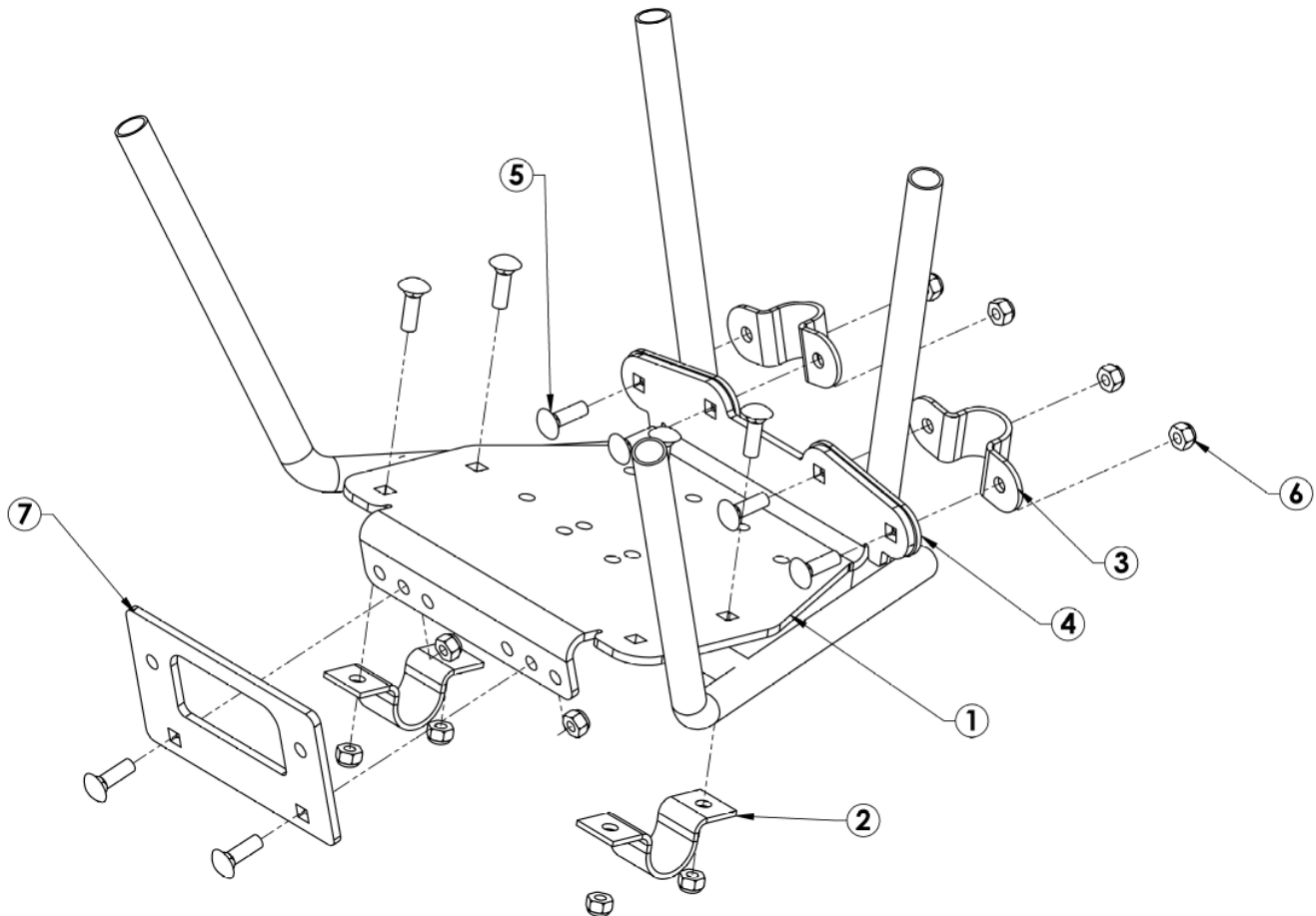


Part Number: KVF009

Fits Models: -Brute Force 650
4 x 4 (Straight Axle)

INSTRUCTIONS:

1. Install four carriage bolts in the rear of the plate. Place the spacers over the bolts and retain them with the push nuts (not shown). Position the winch mount plate on the atv bumper bars as shown below.
2. Install Rear Frame Clamps and loosely assemble (4) 5/16 carriage bolts and nyloc nuts. Install Front Frame Clamps and loosely assemble (4) 5/16 carriage bolts nyloc nuts. Assure plate is centered on all atv bars and securely tighten nuts.
3. Attach the Fairlead Bracket using (2) 5/16 carriage bolts and nyloc nuts.
4. Using fasteners supplied with the winch, assemble winch to the winch mount plate.
5. Using instructions supplied with winch, wire accordingly.



ITEM NO.	QTY.	PART NO.	DESCRIPTION
1	1	11524	Mounting Plate; KVF009
2	2	11525	Front Frame Clamp, KVF009
3	2	11526	Rear Frame Clamp, KVF009
4	2	11527	Rear Frame Clamp Spacer
5	10	10197	5/16-18 X 1 Carriage Bolt
6	10	NB181	5/16-18 NYLOC NUT
7	1	10999	Fairlead Bracket

Please call 1-800-222-8183 with questions or comments