

POWERBLADE

www.powerblade.ca

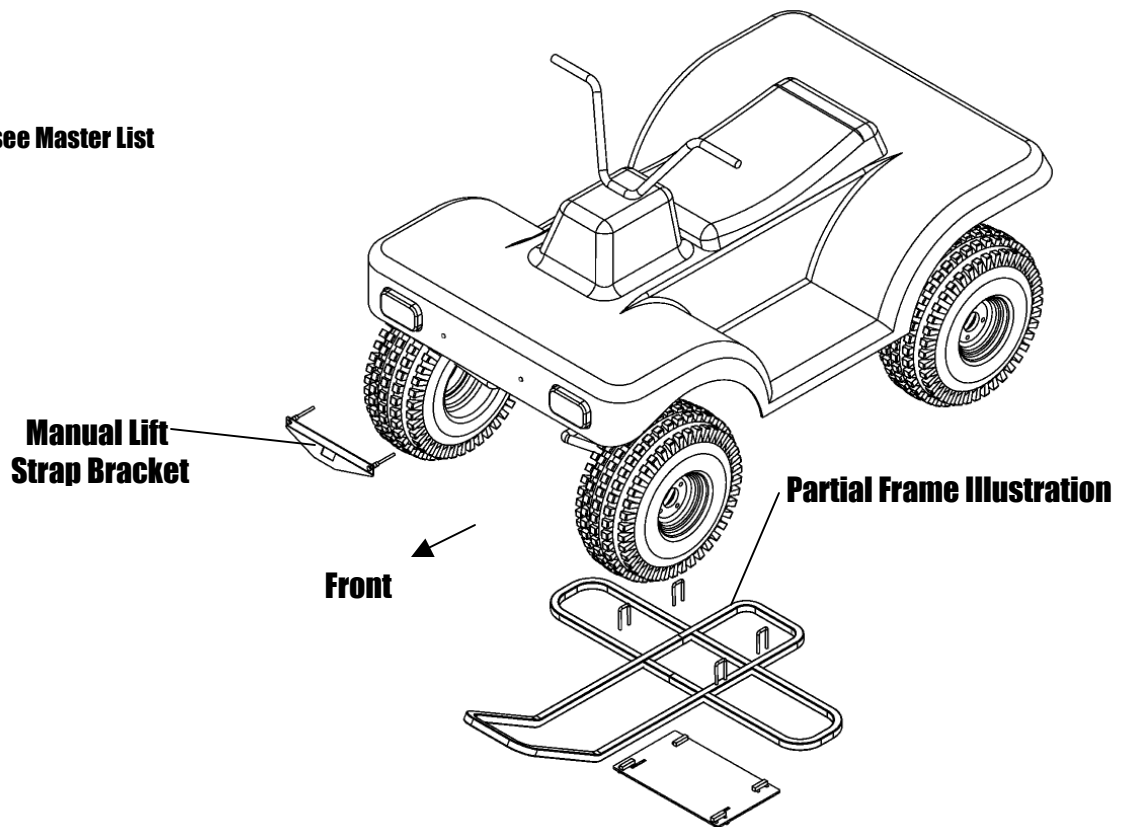
TM

PBP-3640

Polaris

Hawkeye 300

May fit additional models see Master List



Caution: Do not exceed 5 MPH with the blade or it's brackets installed
Remove the mount plate for trail riding where extra ground clearance is needed

SWISHER

1602 Corporate drive
P.O. Box 67
Warrensburg, MO 64093
1-877-627-5860

Assembly Instructions

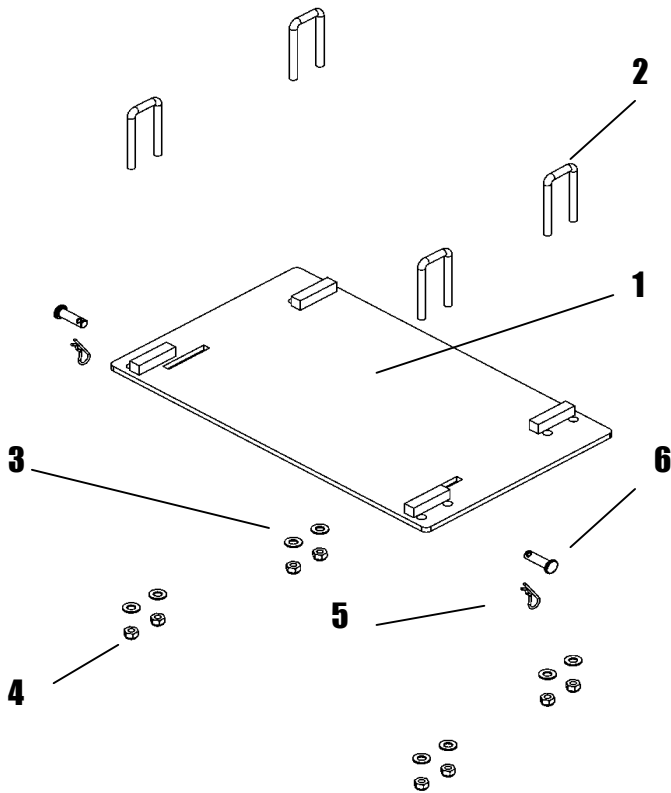
Note. Right and Left direction are from the operator position. The lower skid plate, if so equipped, may need to be removed. Please retain plate and hardware to be reinstalled if the plate is removed.

Blade Mount Kit

1. **Separate and Identify the parts to the Blade Mount and the Manual Lift Strap Bracket.**
2. **Place the U-Bolts over the foot Rest tubes adjacent to the frame braces.**
3. **Attach the plate with Washers and Lock nuts as shown, The blade mount tabs are pointing down and to the front of the ATV, and snug the nuts**
4. **Center the plate, assuring proper clearance with the Drive shaft universal joint.**
5. **Tighten the nuts securely**

Manual Lift Strap Bracket (Only mount if using the manual lift kit)

1. **Remove the bolts near the headlights.**
2. **Place bolt Bracket and three spacers into the hole and attach nut on the inside.**
3. **Repeat with the other side.**
4. **Slip Lift Strap through the hole and loop through itself.**



| Item # | Description | Part # |
|--------|--------------|---------|
| 1 | Mount Plate | 12982TK |
| 2 | U Bolt | 7874Z |
| 3 | Washer | NB275 |
| 4 | Nylock Nut | NB181 |
| 5 | Hair Pin #39 | NB127 |
| 6 | Clevis Pin | 10305 |

| Item # | Description | Part # |
|--------|--------------------|---------|
| 7 | Bracket-Lift Strap | 12984TK |
| 8 | Spacer | 7825Z |
| 9 | Bolt 5/16-18 X4 | NB513 |
| 10 | Washer | NB275 |
| 11 | Nylock Nut 5/16-18 | NB181 |

Lift Strap Mounting

