

# POWERBLADE

www.powerblade.ca

TM

## PBS-4521 & PBS-4525

Suzuki Models

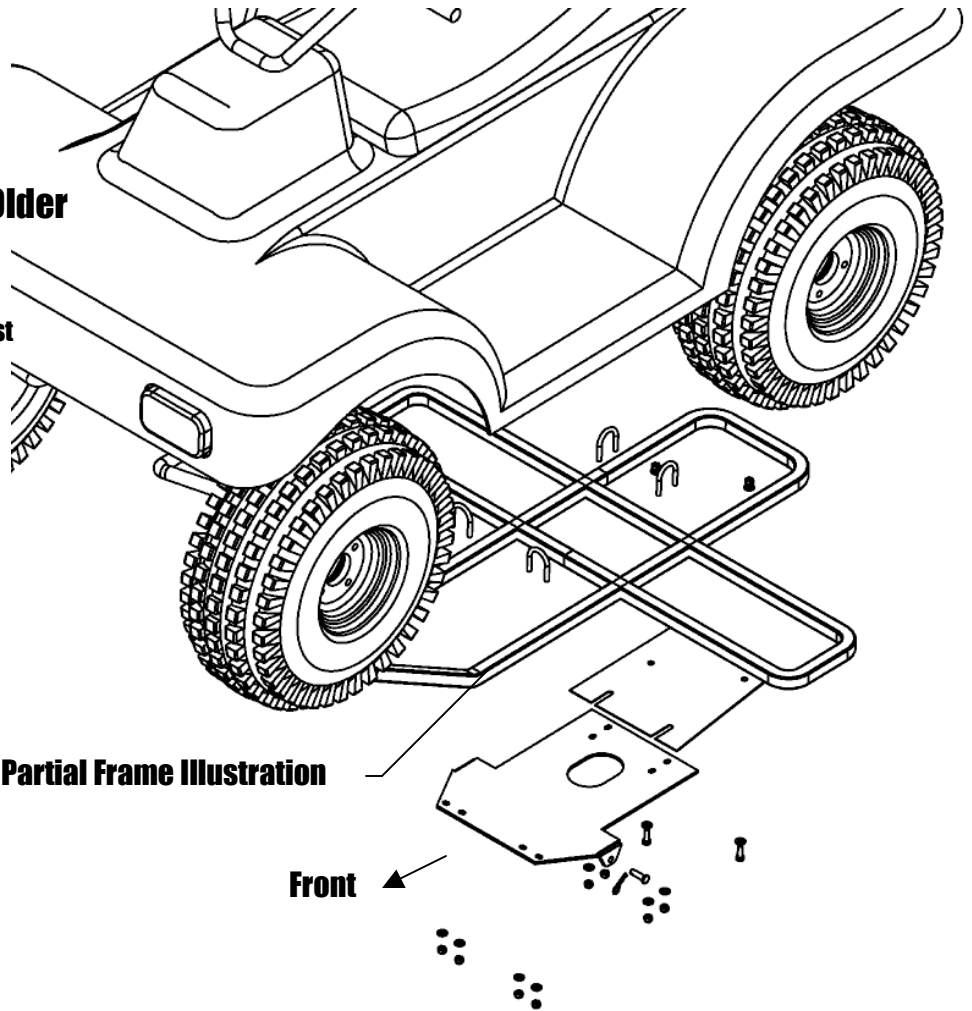
LTF 250 2X4 01 & Older

LTF 280 King Quad 4X4 98 & Older

LTF 300 King Quad 4X4 99-01

LT 4 WD 01 & Older

May fit additional models see Master List



Partial Frame Illustration

Front

**Caution: Do not exceed 5 MPH with the blade or it's brackets installed**  
**Remove the mount plate for trail riding where extra ground clearance is needed**

***SWLSHER***

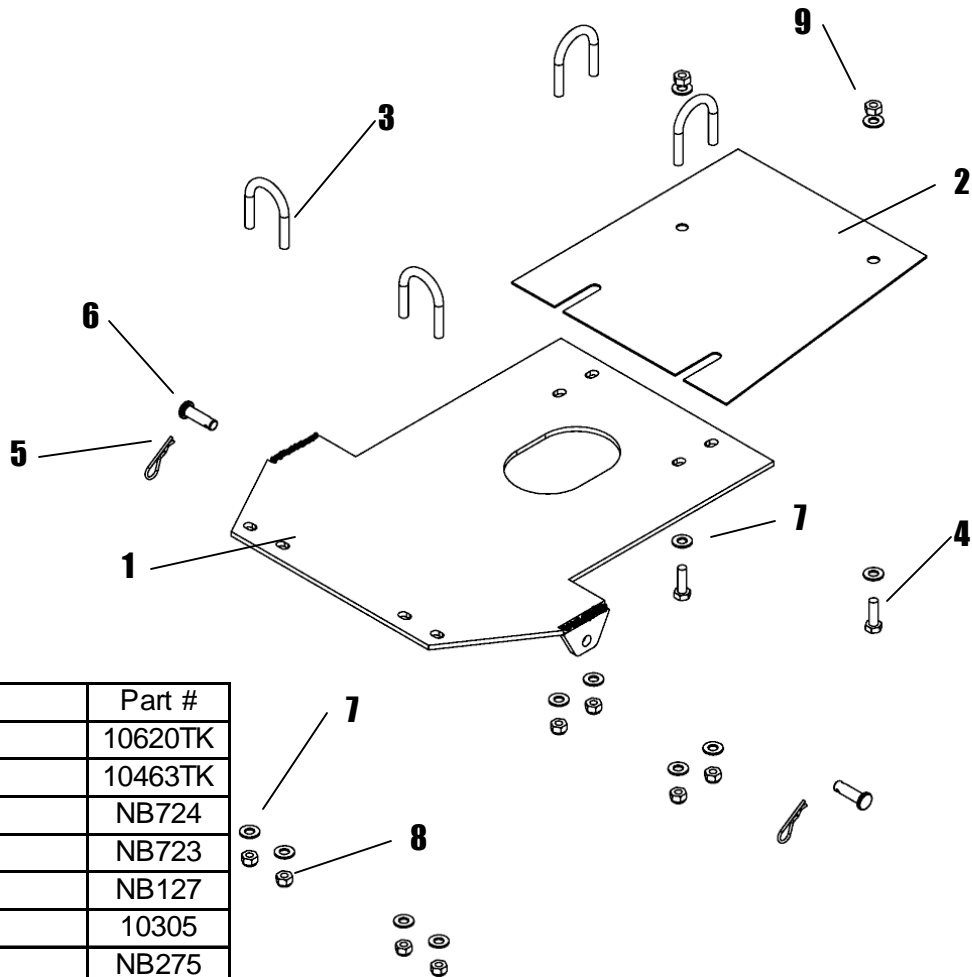
1602 Corporate drive  
P.O. Box 67  
Warrensburg, MO 64093  
1-877-627-5860

## Assembly Instructions

**Note.** Right and Left direction are from the operator position. The lower skid plate, if so equipped, may need to be removed. Please retain plate and hardware to be reinstalled if the plate is removed.

### Blade Mount Kit

1. **Separate and Identify the parts to the Blade Mount and the Skid Plate.**
2. **Place Skid Plate against frame with the slots facing forward and the front hole on the right hand side. Locate the holes in the frame that attach the Skid Plate and loosely install the M8 bolts and nut provided. Leave loose.**
3. **Hook the "U Bolts" over the frame rear cross member aligning with the slots in the Skid Plates**
4. **Hook the remaining two "U bolts" over the sides of the frame in the general area of the slots in the mounting plate.**
5. **Place the mounting plate up to the frame with the mounting tabs as shown attach "U bolts" and tighten securely.**
6. **Tighten all hardware.**



Item #	Description	Part #
1	Mount Plate	10620TK
2	Skid Plate	10463TK
3	U Bolt	NB724
4	Bolt M8-1.25 X 25	NB723
5	Hair Pin #39	NB127
6	Clevis Pin	10305
7	Flat Washer	NB275
8	Nyloc Nut	NB181
9	Nut M8	MB718