

POWERBLADE

www.powerblade.ca

TM

PBY-5590

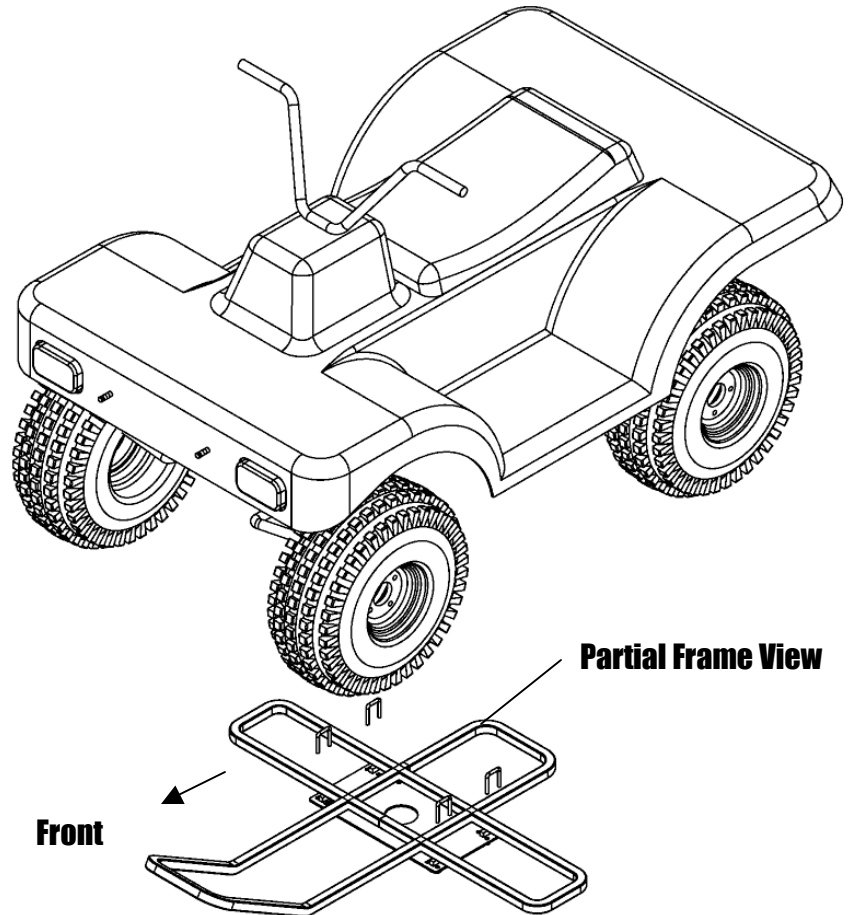
Yamaha Models

350 Bruin

400 Kodiak

450 Kodiak

May fit additional models see Master List



Caution: Do not exceed 5 MPH with the blade or it's brackets installed

Remove the mount plate for trail riding where extra ground clearance is needed

SWLSHER

1602 Corporate drive
P.O. Box 67
Warrensburg, MO 64093
1-877-627-5860

Assembly Instructions

Note. Right and Left direction are from the operator position. The lower skid plate, if so equipped, may need to be removed. Please retain plate and hardware to be reinstalled if the plate is removed.

- 1. Place the mount plate up against the bottom of the frame. The Blade Mounting Tabs should be pointing down and located toward the front of the ATV.**
- 2. Center the blade mounting tabs, side to side, between the two foot rest pegs**
- 3. Using the four U Bolts (Part 2) Attach the plate to the frame tubes.**
- 4. Center plate under the bike and tighten the bolts securely**

Item #	Description	Part #
1	Mount Plate	10617TK
2	U Bolt	10633
3	Washer Flat	NB275
4	Nylock Nut 5/16-18	NB181
5	Hair Pin #39	NB127
6	Clevis Pin	10305

