

**SWISHER**

**OWNER'S  
MANUAL**

STARTING SERIAL #:  
L105-074001

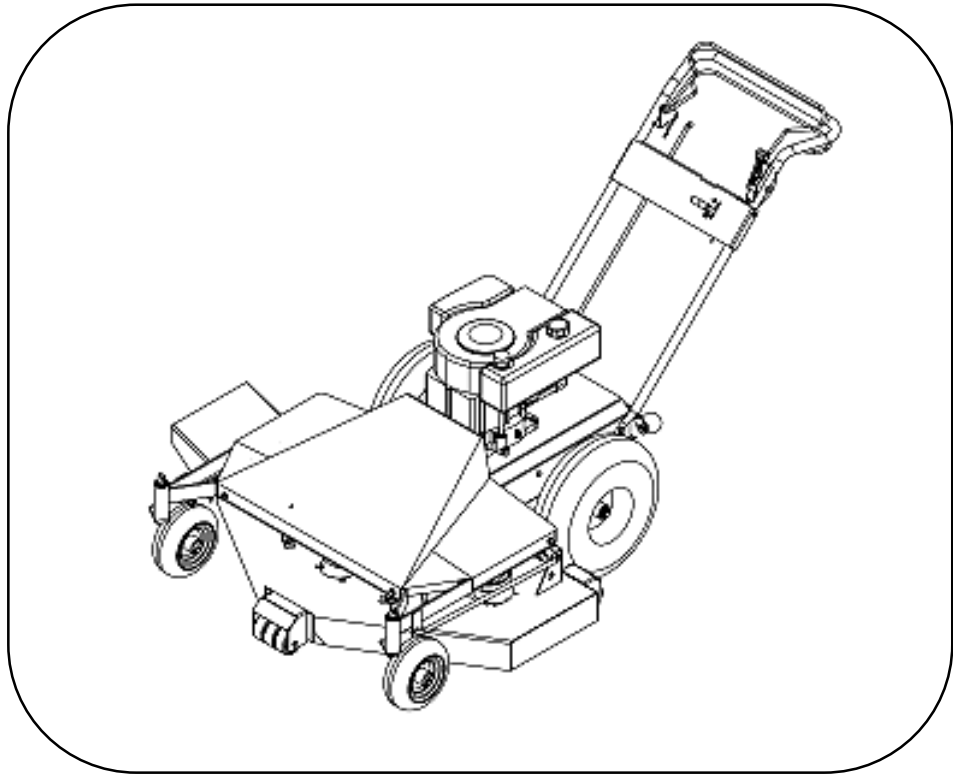
**MODEL NO.  
WB11542F**



**Important!**

Read and follow all Safety  
Rules and Instructions  
before operating this  
equipment.

Rev.



**THE FINISHING TOUCH**  
**42" FINISH CUT MOWER SELF PROPELLED  
WALK BEHIND**

**Assembly  
Operation  
Service and Adjustment  
Repair Parts**

**SWISHER**

1602 CORPORATE DRIVE, P.O. BOX 67, WARRENSBURG, MISSOURI 64093  
PHONE (660) 747-8183 FAX (660) 747-8650

**Manufacturing quality lawn care equipment since 1945**

*Made In The*

**USA**

## LIMITED WARRANTY

The manufacturer's warranty to the original consumer purchaser is: This product is free from defects in materials and workmanship for a period of one (1) year from the date of purchase by the original consumer purchaser. We will repair or replace, at our discretion, parts found to be defective due to materials or workmanship. This warranty is subject to the following limitations and exclusions:

- 1) Engine Warranty                      All engines utilized on our products have a separate warranty extended to them by the individual engine manufacturer. Any engine service difficulty is the responsibility of the engine manufacturer and in no way is Swisher Mower Co., Inc. or its agents responsible for the engine warranty. The Briggs & Stratton Engine Service Hot-Line is 1-800-233-3723. The Tecumseh Engine Service Hot-Line is 1-800-558-5402.
  
- 2) Commercial Use                      The warranty period for any product used for commercial or rental is limited to ninety (90) days from the date of original purchase.
  
- 3) Limitations                            This warranty applies only to products which have been properly assembled, adjusted, and operated in accordance with the instructions contained within this manual. This warranty does not apply to any product of Swisher Mower Co., Inc., that has been subject to alteration, misuse, abuse, improper assembly or installation, shipping damage, or to normal wear of the product.
  
- 4) Exclusions                              Excluded from this warranty are normal wear, normal adjustments, and normal maintenance.

In the event you have a claim under this warranty, you must return the product to an authorized service dealer. All transportation charges, damage, or loss incurred during transportation of parts submitted for replacement or repair under this warranty shall be borne by the purchaser. Should you have any questions concerning this warranty, please contact us toll-free at 1-800-222-8183. The model number, serial number, date of purchase, and the name of the authorized Swisher dealer from whom you purchased the mower will be needed before any warranty claim can be processed.

THIS WARRANTY DOES NOT APPLY TO ANY INCIDENTAL OR CONSEQUENTIAL DAMAGES AND ANY IMPLIED WARRANTIES ARE LIMITED TO THE SAME TIME PERIODS STATED HEREIN FOR ALL EXPRESSED WARRANTIES. Some states do not allow the limitation of consequential damages or limitations on how long an implied warranty may last, so the above limitations or exclusions may not apply to you. This warranty gives you specific legal rights and you may have other rights, which vary from state-to-state. This is a limited warranty as defined by the Magnuson-Moss Act of 1975.

## SAFETY PRECAUTIONS AND DECALS



**This Safety Alert Symbol indicates important messages in this manual. When you see this symbol, carefully read the message that follows and be alert to the possibility of personal injury.**

**Read this manual completely. This machine is capable of amputating hands and feet, and throwing objects. Failure to observe the following safety instructions could result in serious injury or death.**

- Read the manual. Learn to operate this machine safely.
- Always disconnect the spark plug wire and place the wire where it cannot contact the spark plug, to prevent accidentally starting the engine when setting up, transporting, adjusting or making repairs.
- Keep all shields and guards in place.
- Understand the speed, steering and stability of this machine. Know the positions and operations of all controls before you operate this machine. Check all of the controls in a safe area before starting to work with this machine.
- Allow only responsible adults who are familiar with these instructions to operate this machine. Never allow children to operate this machine.
- Clear the area of objects such as rocks, toys, wire, etc. that can be picked up and thrown by the blade.
- Be sure the area is clear of other people before mowing. Be aware of the mower discharge direction and do not point at anyone. Stop the machine if anyone enters the mowing area. Children are often attracted to the machine and the mowing activity. ***Never assume that children will remain where you last saw them.*** Keep children under the watchful care of another responsible adult.
- **No riders!**
- Do not put hands or feet near or under rotating parts. Keep clear of the discharge opening at all times.
- Do not mow in reverse. Always look down and behind before and while backing.
- Turn off the blades when not mowing. Before leaving the machine, turn off the blades and stop the engine.
- Watch for traffic when operating near or crossing roadways.

- Turn off the blades when not mowing. Before leaving the machine, turn off the blades and stop the engine.
- Watch for traffic when operating near or crossing roadways.
- Do not operate the mower if it has been dropped or damaged in any manner or if the mower vibrates excessively. Excessive vibration is an indication of damage. Repair mower as necessary.
- Dress properly. Do not operate the mower when barefoot or wearing open sandals. Wear only solid shoes with good traction when mowing.
- Do not operate the machine while under the influence of alcohol or drugs.
- Operate self-propelled machines up and down slopes. There is significant risk of overturns when operating across slopes. Operate walk-behind machines across slopes. There is a significant risk of slipping under a walk-behind machine when operating up and down slopes.
- Never tamper with safety devices. Check their proper operation regularly.
- Stop and inspect the equipment if you strike an object. Repair, if necessary, before restarting.
- Never make adjustments or repairs with the engine running.
- Mower blades are sharp and can cut. Wrap the blades or wear gloves, and use extra caution when servicing them.



## OPERATING YOUR NEW CUTTER



The operation of any cutter can produce foreign objects to be thrown into the eyes, resulting in severe eye damage. Always wear certified safety glasses or wide-vision safety goggles before starting any cutting machine and while operating such a machine.



The operation of any cutter produces sound waves that are damaging to the human ear. Ear protection is recommended.



### **CAUTION!**

Tragic accidents can occur if the operator is not alert to the presence of children. Children are often attracted to the machine and the mowing activity. *Never assume that children will remain where you last saw them.*

## SAFETY AND OPERATIONAL DECALS

Replace decal immediately if damaged. Order by part number from Swisher Mower and Machine Co. Inc.



OD30 – WARNING DECAL



OD36 – DEFLECTOR DECAL



OD43 – FLYING DEBRIS DECAL



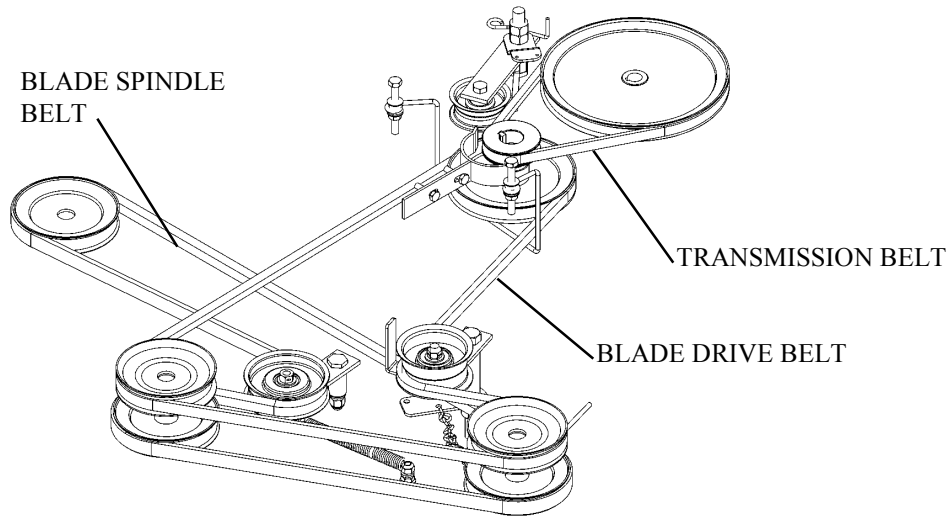
OD55 – DANGER DECAL



OD29 – SPINNING BLADE DECAL

## SERVICE AND ADJUSTMENTS

Stop engine, let all moving parts come to a complete stop. Disconnect spark plug.



### BELTS CONFIGURATION

#### BLADE SPINDLE BELT REPLACEMENT

##### REMOVAL

- *Stop engine, let all moving parts come to a complete stop. Disconnect spark plug.*
- Remove belt cover.
- Remove Blade Drive Belt. (See Blade Drive Belt replacement.)
- Pull tension idler away from Blade Spindle Belt to relieve tension.
- Remove belt.

##### INSTALLATION

- Pull tension idler away from belt.
- Install belt according to above configuration.
- Install Blade Drive Belt as shown.
- Install belt cover and tighten hardware.

#### BLADE DRIVE BELT REPLACEMENT

##### REMOVAL

- *Stop engine, let all moving parts come to a complete stop. Disconnect spark plug.*
- Disengage all blade controls by releasing the bails.
- Remove belt cover.
- Rotate belt off pulleys and pull belt through motor belt guide.

##### INSTALLATION

- Route belt as shown.
- Adjust engage idler tension. Belt should be snug during engagement of blade latch. Too much tension will not allow the blade latch to function properly.
- Tighten nuts on blade engage cable when finished.
- Install belt cover and tighten hardware.

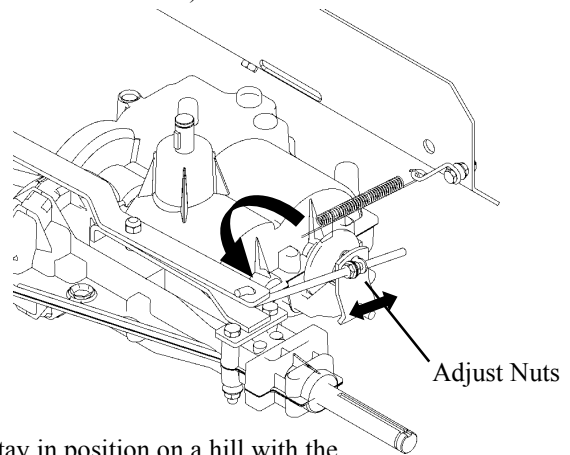
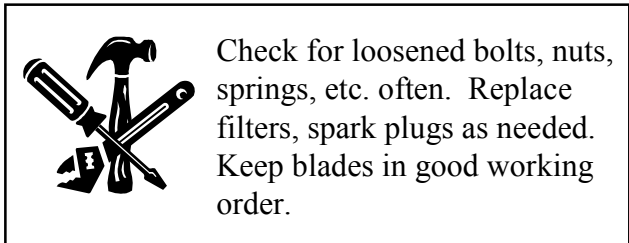
## WHEEL DRIVE BELT REPLACEMENT

### REMOVAL

- **Stop engine, let all moving parts come to a complete stop. Disconnect spark plug.**
- Remove belt cover.
- Remove Blade Drive Belt, (See “Blade Drive Belt replacement”)
- Locate belt guide for wheel drive belt and loosen.
- Remove wheel drive belt.

### INSTALLATION

- Install belt as shown.
- Adjust belt guide snug against motor pulley and back off ¼”.
- Tighten belt guide hardware.
- Install Blade Drive Belt (see “Blade Drive Belt installation”).
- Install belt cover and tighten hardware.



## WHEEL BRAKE ADJUSTMENT

Adjustment may be necessary if the unit does not stay in position on a hill with the operator bails released, or if the brake drags while in neutral with the “GROUND CONTROL” bail engaged.

### PROCEDURE

- **Stop engine, let all moving parts come to a complete stop. Disconnect spark plug.**
- Release “GROUND CONTROL” bail.
- Adjust nuts forward or backward. When the “GROUND CONTROL” bail is disengaged there should be constant tension on the brake arm.
- All tension should be off brake arm when “GROUND CONTROL” bail is engaged.
- Tighten adjustment nut when finished and re-attach spring, if necessary.

## WHEEL DRIVE BELT ADJUSTMENT

Adjustment may be necessary if loss of traction occurs due to belt slippage.

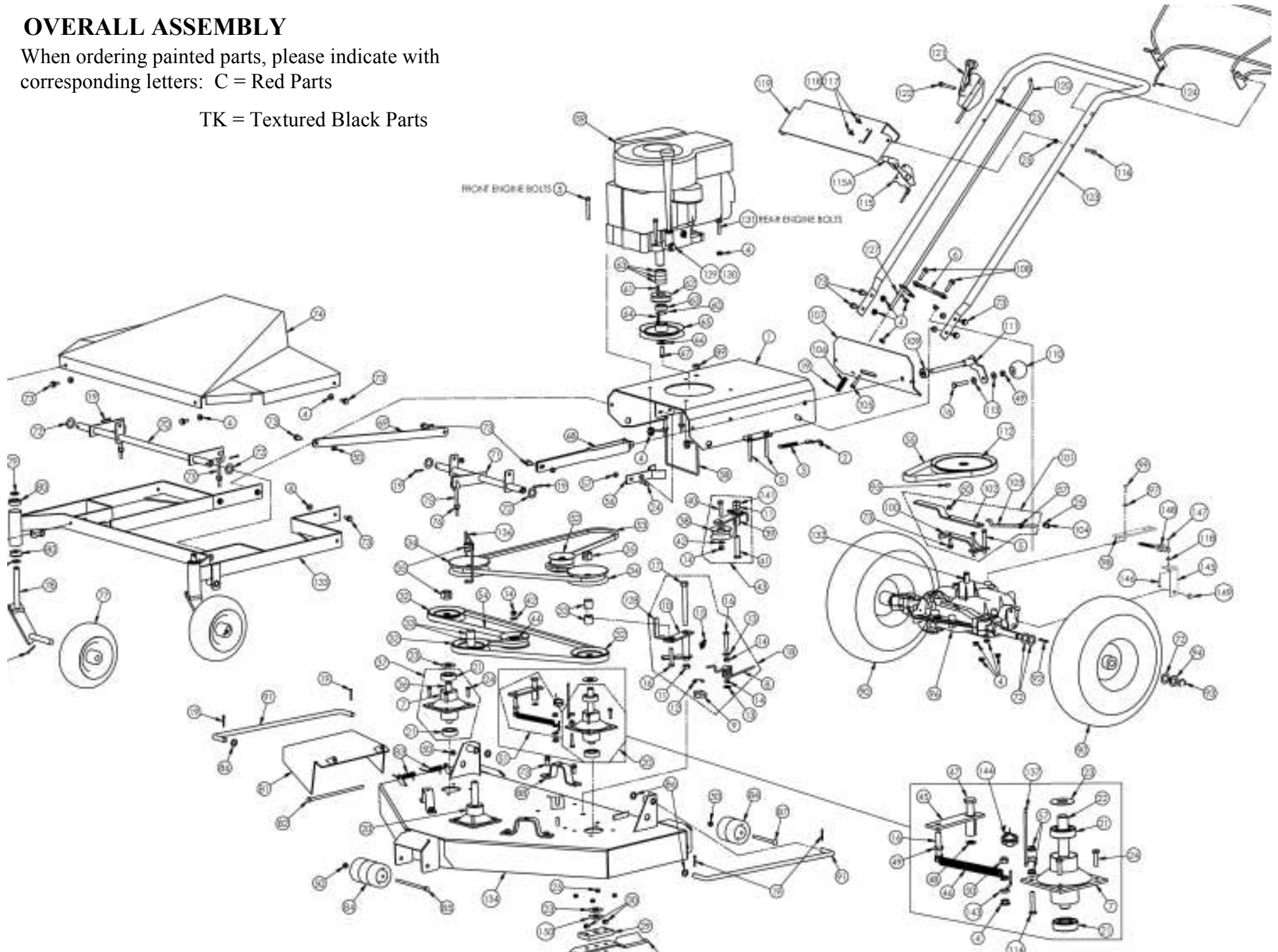
### PROCEDURE

- Adjust “GROUND CONTROL” cable in or out to achieve maximum traction.
- Too much tension will not allow the “GROUND CONTROL” bail to fully activate.
- Too little tension will allow the belt to slip, resulting in loss of traction.
- “GROUND CONTROL” bail should fully close against handlebars when functioning properly.

## OVERALL ASSEMBLY

When ordering painted parts, please indicate with corresponding letters: C = Red Parts

TK = Textured Black Parts



## REPLACEMENT PARTS

When ordering painted parts, please indicate with corresponding letters: C = Red Parts;  
TK = Textured Black Parts (ex. 4207TK, 4237C)

| Item # | Description                       | Part # | Item # | Description                        | Part #  |
|--------|-----------------------------------|--------|--------|------------------------------------|---------|
| 1      | Motor Base                        | 4270   | 46     | Tension Spring                     | 682S    |
| 2      | Wire Link                         | BRS6H  | 47     | 1/2 x 1 9/16 Shoulder Bolt         | NB220   |
| 3      | Link Spring                       | T2SM   | 48     | 3/8 SAE Washer                     | NB272   |
| 4      | 5/16-18 Serrated Flange Nut       | NB170  | 49     | 3/8-16 Grade 2 Nut                 | NB182   |
| 5      | 5/16-18 x 2 1/2 Grade 5 Bolt      | NB138  | 50     | 5/16-18 Nylock Nut                 | NB181   |
| 6      | Shift Linkage                     | 4282   | 51     | Tension Idler Kit                  | 4263    |
| 7      | Blade Driver Housing              | B99    | 52     | Blade Engage Pulley                | 7509    |
| 8      | Brake Spring                      | BT297  | 53     | Blade Drive Belt                   | 4220    |
| 9      | Brake Pad                         | 9114   | 54     | Blade Spindle Belt                 | 4219    |
| 10     | Blade Engage Idler                | 4262   | 55     | Wheel Drive Belt                   | 2414    |
| 11     | 1/2 -13 Nut                       | NB121  | 56     | Transmission Belt Guide            | 2451    |
| 12     | Brake Pad Clip                    | BP370S | 57     | 1/4-20 Flange Nut                  | NB524   |
| 13     | 5/16 Flat Washer                  | NB556  | 58     | Blade Drive Belt Guide             | 4234    |
| 14     | 3/8 -16 2-way Locknut             | NB280  | 59     | 11.5 HP B&S Engine                 | N/A     |
| 15     | 5" Chain Links                    | AS080  | 60     | X 1 1/2 10GA Washer Hardened PL    | NB614HT |
| 16     | 3/8-16 x 2 Grade 2 bolt           | NB231  | 61     | 1/4 x 1/2 Key Stock                | 4258    |
| 17     | 1/2-13 x 5 Grade 5 bolt           | NB155  | 62     | Upper Engine Pulley                | 2411    |
| 18     | Blade Engage Idler Kit            | 4280   | 63     | Lower Engine Spacers               | BB105SL |
| 19     | 1/8 x 1 Cotter Pin                | NB126  | 64     | 1/4 x 1 Key Stock                  | 9031    |
| 20     | Center & Left Blade Driver Kit    | 9084   | 65     | Lower Engine Pulley                | 688     |
| 21     | Blade Bearing                     | B98    | 66     | Belleville Washer                  | 699     |
| 22     | Center & Left Blade Shaft         | 9075   | 67     | 7/16-20 x 1 1/2 Grade 5 Bolt       | NB637   |
| 23     | Washer                            | NB179  | 68     | Height Adjust Arm                  | 4275    |
| 24     | 1/4-20 x 1 Grade 5 Bolt           | NB250  | 69     | Front / Rear Torsion Connector     | 4235    |
| 25     | 1/4-20 Nylock Nut                 | NB180  | 70     | Front Torsion Bar                  | 4233    |
| 26     | 15" Blade                         | 4221   | 71     | Rear Torsion Bar                   | 4236    |
| 27     | Serrated Belleville Washer        | NB607  | 72     | 3/4 x 18 GA Washer                 | NB179   |
| 28     | 3/8 - 24 x 1 Grade 5 Bolt         | NB238  | 73     | 5/16-18 x 3/4 Serrated Flange Bolt | NB596   |
| 29     | Blade Mounting Plate              | 9008   | 74     | Plastic Belt Cover                 | 4257    |
| 30     | 3/8-24 2 Way Lock Nut             | NB216  | 75     | 3/8-16 x 3 Eye Bolt                | 4198    |
| 31     | 3/8-24 x 1 Grade 5 Bolt           | NB238N | 76     | 3/8-16 Nylock Nut                  | NB182   |
| 32     | Lower Blade Pulley                | BZ104  | 77     | Front Tire & Wheel                 | 4218    |
| 33     | Pulley Spacer                     | 6104RS | 78     | Caster                             | 4266    |
| 34     | Upper Pulley (Center & Left Only) | B104TK | 79     | 5/8 x 10 GA Washer                 | NB149   |
| 35     | 3/4-16 2 Way Lock Nut             | NB175  | 80     | 5/8 Flanged Bearing                | F157B   |
| 36     | Right Blade Shaft                 | 9077   | 81     | Grass Chute                        | 4261    |
| 37     | Right Blade Driver Kit            | 9085   | 82     | 5/16-18 x 8 1/2 Grade 2 Bolt       | NB136   |
| 38     | Transmission Idler Pulley         | B27    | 83     | Grass Chute Spring                 | CH5S    |
| 39     | Transmission Idler                | 4276   | 84     | Plastic Roller                     | AS001   |
| 40     | 3/8-16 x 1 1/2 Grade 5 Bolt       | NB107  | 85     | 5/16-18 x 5 1/2 Grade 5 Bolt       | NB575   |
| 41     | 1/2-13 x 2 1/2 Grade 5 Bolt       | NB588  | 86     | 1/2 x 14 GA Washer                 | NB177   |
| 42     | 3/8 SAE Washer                    | NB272  | 87     | 5/16-18 x 4 Carriage Bolt          | NB101   |
| 43     | Transmission Idler Kit            | 4281   | 88     | Hanger Bracket                     | 4216    |
| 44     | Tension Idler Pulley              | B527   | 89     | 1/2-13 2 Way Jam Lock Nut          | NB121   |
| 45     | Tension Idler                     | 6681   | 90     | Rear Tire & Wheel                  | 4217    |

## REPLACEMENT PARTS

When ordering painted parts, please indicate with corresponding letters: C = Red Parts;  
TK = Textured Black Parts (ex. 4207TK, 4237C)

| Item # | Description                           | Part #  | Item # | Description                           | Part # |
|--------|---------------------------------------|---------|--------|---------------------------------------|--------|
| 91     | Sway Bar                              | 4207    | 134    | Deck                                  | 4250   |
| 92     | 3/16 x 1 1/2 Keystock                 | 2434    | 135    | 3/8-16 X 1 1/4 Bolt                   | NB618  |
| 93     | 3/4 E-Clip                            | NB621   | 136    | Belt Snubber                          | 10017  |
| 94     | 3/4 x 10 GA Washer                    | NB184   | 137    | Belt Guide                            | 10014  |
| 95     | 5/16-18 x 1/2 Set Screw               | NB312   | 138    | Eye Bolt                              | 4199   |
| 96     | 4 Speed Transmission                  | 4256    | 139    | Washer                                | AS155  |
| 97     | 1/4 SAE Washer                        | NB274   | 140    | Grip for Shift Handle                 | 4285   |
| 98     | Shift Link                            | 4223    | 141    | 1/2-13 Jam Nut                        | NB118  |
| 99     | 1/4-28 x 3/4 Grade 5 Bolt             | NB620   | 142    | 5/16-18 X 2 1/4 Bolt                  | NB622  |
| 100    | Brake Mount                           | 4273    | 143    | Finger for Belt Release               | T30F   |
| 101    | Brake Mount Kit                       | 4271    | 144    | Safety Switch Assy- Brown Wires       | SSB    |
| 102    | Transaxle Brake Pivot                 | 4247    | 145    | Neutral Switch Bracket                | 10738  |
| 103    | Transaxle Brake Link                  | 4264    | 146    | 8-32 X 1 Slot HWH ZP                  | 10742  |
| 104    | 1/4-20 x 3/4 Eye Bolt                 | V139EB  | 147    | 8-32 Nylok Nut                        | NB193  |
| 105    | 5/16-18 x 1 Grade 5 Bolt              | NB501   | 148    | Safety Switch                         | 9113   |
| 106    | Gear Shift Spring                     | TR148S  | 149    | 5/16-18 x 1/2 HWH Rolok Screw ZP      | 10743  |
| 107    | Rear Cover                            | 4299    | 150    | Wiring Harness-9113 to SSB            | 2472   |
| 108    | 5/16-18x1 1/4 Ser Flg Bolt            | NB253   | 151    | Wiring Harness WB11542F-SSB to Engine | 10821  |
| 109    | Thrust Bearing                        | T151    | 152    | Cable Tie- Black 5 1/2"               | AS021  |
| 110    | Plastic Knob                          | 4857    |        |                                       |        |
| 111    | Crank Handle                          | 4274    |        |                                       |        |
| 112    | Transmission Pulley                   | 2410    |        |                                       |        |
| 113    | 3/8 Hardened Washer                   | NB196   |        |                                       |        |
| 114    | 1/4-20 X 1 1/4 Bolt Gr 5              | NB103   |        |                                       |        |
| 115    | Throttle Control                      | 4226    |        |                                       |        |
| 115A   | T-Knob for Throttle Cable             | 4226K   |        |                                       |        |
| 116    | 1/4-20 x 1 1/2 Grade 2 Bolt           | NB104   |        |                                       |        |
| 117    | 8-32 X 1/2 Phillips Truss             | NB114   |        |                                       |        |
| 118    | 8-32 Keps Nut                         | NB201   |        |                                       |        |
| 119    | Throttle Console                      | 10650TK |        |                                       |        |
| 120    | Gear Shifter                          | 4260    |        |                                       |        |
| 121    | Blade Engage Latch                    | 4295    |        |                                       |        |
| 122    | 1/4-20 x 2 1/2 Gr 5 Serr. Flange Bolt | NB208   |        |                                       |        |
| 123    | Operator Handle                       | 2402    |        |                                       |        |
| 124    | Transmission Cable                    | 2432    |        |                                       |        |
| 125    | Operator Presence Bail (Upper)        | 4294    |        |                                       |        |
| 126    | Ground Control Bail (Lower)           | 4291    |        |                                       |        |
| 127    | 3/16 x 1 Roll Pin                     | NB123   |        |                                       |        |
| 128    | Belt Guide                            | 4283    |        |                                       |        |
| 129    | Oil Drain Cap                         | AS123   |        |                                       |        |
| 130    | Oil Drain Valve                       | AS122   |        |                                       |        |
| 131    | 5/16-18 x 1 1/4 Serr. Flange Bolt     | NB253   |        |                                       |        |
| 132    | 3/16 x 3/4 # 9 Woodruff Keystock      | NB638   |        |                                       |        |
| 133    | Frame                                 | 4269    |        |                                       |        |



**OWNER'S  
MANUAL  
MODEL NO.  
WB11542F**

**THE FINISHING TOUCH  
42" FINISH CUT MOWER SELF PROPELLED  
WALK BEHIND**

Each cutter has its own model number. Each engine has its own model number. The model number for the cutter will be found on the right hand side of the motor base. The model number for the engine will be found on the top of the valve cover.

All cutter parts listed herein may be ordered directly from Swisher Mower & Machine Co. Inc. or your nearest Swisher dealer.

All engine parts may be ordered from the nearest dealer of the engine supplied with your cutter.

WHEN ORDERING PARTS, PLEASE HAVE THE FOLLOWING INFORMATION AVAILABLE:

- \* PRODUCT - FINISHING TOUCH
- \* SERIAL NUMBER - \_\_\_\_\_
- \* MODEL NUMBER - \_\_\_\_\_
- \* ENGINE MODEL NUMBER - \_\_\_\_\_  
TYPE - \_\_\_\_\_
- \* PART NUMBER
- \* PART DESCRIPTION

TELEPHONE - 1-800-222-8183  
FAX - 1-660-747-8650

**SWISHER MOWER & MACHINE CO. INC.**  
1602 CORPORATE DRIVE P.O. BOX 67  
WARRENSBURG, MO 64093

Visit us at: [www.swisherinc.com](http://www.swisherinc.com)



**SWISHER MOWER & MACHINE CO. INC.**