

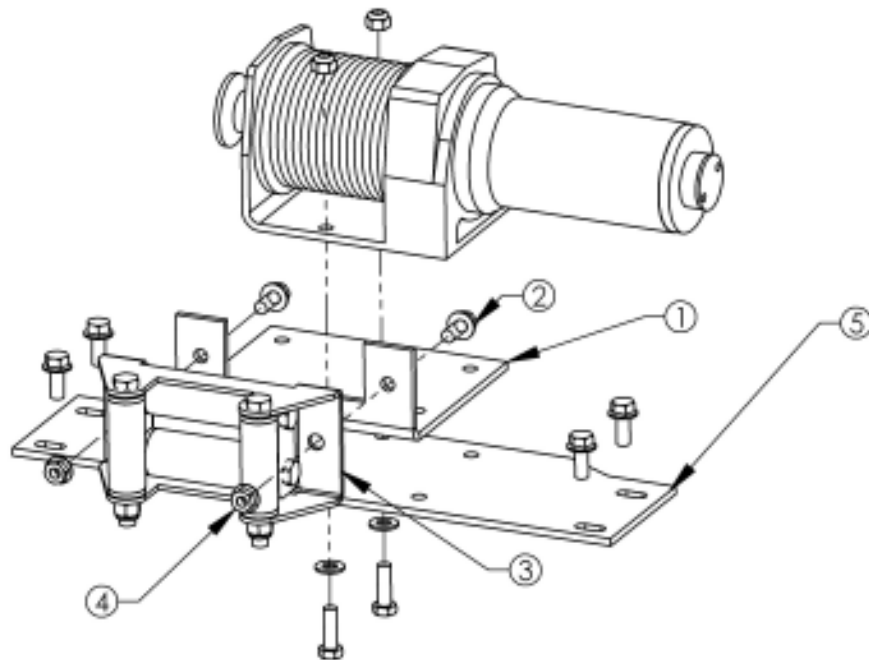
MANCO TALEN 260

INSTRUCTIONS:

1. Mount the fairlead assembly to the winch mount plate, using (2) 5/16-18 X 3/4 serrated flange bolt and (2) serrated flange nuts (4).
2. If mounting a Warn winch, set the assembly from step 1 on the existing winch mount plate and align the corresponding holes. Carefully set the winch on top and secure with the hardware supplied with the winch.

If mounting a SuperWinch replace the current winch mounting plate with the winch mount plate supplied by removing the four outer bolts. After replacing the plate, set the assembly from step 1 on the winch mount plate and align the holes. Carefully set the winch on top and secure with the supplied hardware.

3. Using the instructions supplied with the winch wire accordingly.



ITEM NO.	QTY.	PART NO.	DESCRIPTION
1	1	8051	Winch Mount Plate
2	2	NB-596	5/16-18 x 3/4 SERRATED FLANGE BOLT
3	1	8003	Fairlead Assembly
4	2	NB-170	5/16-18 SERR FLANGE NUT
5	1	8082	Winch Mount Plate, Manco

Please call 1-800-222-8183 with questions or comments.