



BAG KIT Part #3279



Tools Required

- Pencil/Marker
- Two 1/2" Open or Box End Wrenches
- Drill with 5/16" Drill Bit for 50" ZT Deck

Removing Grass Chute and Installing the Bag Bracket

- Shut off mower and allow time to cool.
- Engage parking brake, disconnect spark plug wire.
- Remove grass chute (Figure – 1).
- Position the bag brackets on top of the deck and align the mounting holes with the holes from the grass chute. Secure brackets using (2) 5/16 bolts and (2) 5/16 nuts (Figure – 2).
- For 50" ZT Decks**, the stabilizing bracket also needs to be added (Figure –3).
- Remove the Rear Hanger Bracket and place the Stabilizing Bracket under the hanger bracket and fasten with the existing bolt.
- The edge of the Stabilizing Bracket should rest next to the belt cover.
- Mark hole in deck to line up with hole in Stabilizing Bracket and drill hole.
- Fasten Stabilizing Bracket to deck with bolt and nut provided.

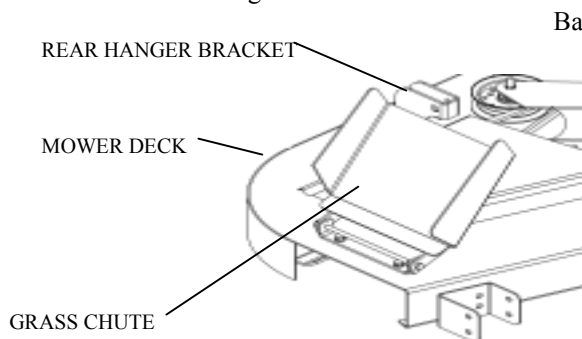


Figure - 1

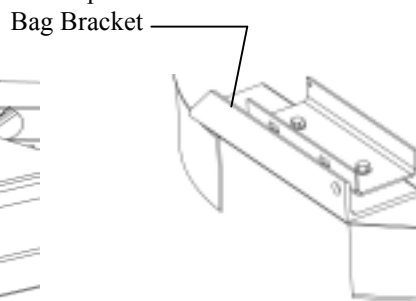


Figure - 2

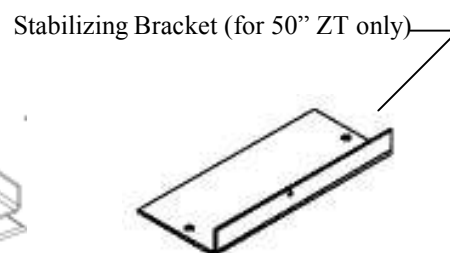


Figure - 3

• Bag Placement

- Slide rod on the bag into the hole on the bag bracket and rotate down until the bracket on the bag rests over the ledge on the bag bracket attached to the deck.
- Place S hook provided into the corner slot on the ZT fender and the small hole on the bag bracket and fasten chain.
- Set deck to desired cutting height.
- Pull chain through the S hook until it is tight (this will off-set the weight of the filled bag on the deck.)
- For 50" ZT Deck**, the chain should be fasten to the fender and the small hole in the stabilizing bracket.

1602 CORPORATE DRIVE, P.O. BOX 67, WARRENSBURG, MISSOURI 64093
PHONE 660-747-8183 FAX 660-747-8650 swisherinc.com

Manufacturing quality lawn care equipment since 1945

Made In The
USA