

SWISHER

MANUFACTURING QUALITY LAWN CARE EQUIPMENT SINCE 1945

Owner's Manual

**Accessories Mount
2646**

**Extension Kit
2900**

**Mount Kit Traxter
7119**

**Mount Kit Outlander
7668**



IMPORTANT
Read and follow all
Safety Precautions
and Instructions
Before Operating this
Equipment.



ATV ACCESSORIES

Sold as Separate Pieces!!!!



**ASSEMBLY
OPERATION
SERVICE AND ADJUSTMENT
REPAIR PARTS**

Made In The
USA

1602 CORPORATE DRIVE PO BOX 67 WARRENSBURG, MISSOURI 64093
PH 660.747.8183 FAX 660.747.8650
swisherinc.com

LIMITED WARRANTY

The manufacturer's warranty to the original consumer purchaser is: This product is free from defects in materials and workmanship for a period of one (1) year from the date of purchase by the original consumer purchaser. We will repair or replace, at our discretion, parts found to be defective due to materials or workmanship. This warranty is subject to the following limitations and exclusions:

- 1) Commercial Use The warranty period for any product used for commercial or rental is limited to ninety (90) days from the date of original purchase.

- 2) Limitations This warranty applies only to products which have been properly assembled, adjusted, and operated in accordance with the instructions contained within this manual. This warranty does not apply to any product of Swisher Mower and Machine Co., Inc., that has been subject to alteration, misuse, abuse, improper assembly or installation, or shipping damage.

- 3) Exclusions Excluded from this warranty are normal wear, normal adjustments, and normal maintenance.

In the event you have a claim under this warranty, you must return the product to an authorized service dealer. All transportation charges, damage, or loss incurred during transportation of parts submitted for replacement or repair under this warranty shall be borne by the purchaser. Should you have any questions concerning this warranty, please contact us toll-free at 1-800-222-8183. The model number, serial number, date of purchase, and the name of the authorized Swisher dealer from whom you purchased the mower will be needed before any warranty claim can be processed.

THIS WARRANTY DOES NOT APPLY TO ANY INCIDENTAL OR CONSEQUENTIAL DAMAGES AND ANY IMPLIED WARRANTIES ARE LIMITED TO THE SAME TIME PERIODS STATED HEREIN FOR ALL EXPRESSED WARRANTIES. Some states do not allow the limitation of consequential damages or limitations on how long an implied warranty may last, so the above limitations or exclusions may not apply to you. This warranty gives you specific legal rights and you may have other rights, which vary from state-to-state. This is a limited warranty as defined by the Magnuson-Moss Act of 1975.

SAFETY PRECAUTIONS & DECALS



This Safety Alert Symbol indicates important messages in this manual. When you see this symbol, carefully read the message that follows and be alert to the possibility of personal injury.

Read this manual completely. Failure to observe the following safety instructions could result in serious injury or death.

- Read the manual. Learn to operate this machine safely.
- Keep the operating speed **LOW!!!!** Do not operate over 5 MPH (8KMH).
- Allow only responsible adults who are familiar with these instructions to operate this machine. Never allow children to operate this machine.
- Be sure the area is clear of other people before operating. Children are often attracted to the machine and the operating activity. **Never assume that children will remain where you last saw them.** Keep children under the watchful care of another responsible adult.
- Watch for traffic when operating near or crossing roadways.
- Do not operate the attachment if it has been dropped or damaged in any manner. Repair as necessary.
- Stop and inspect the equipment if you strike an object. Repair if necessary, before restarting.
- Dress properly. Do not operate when bare foot or wearing open sandals.
- Do not operate the machine while under the influence of alcohol or drugs.
- Never tamper with safety devices. Check their proper operation regularly.
- Operate attachments up and down slopes. There is a significant risk of overturns when operating across slopes.
- **Never make adjustments or repairs with the ATV engine running.**



OD45 Warning Decal



OD55 Danger Decal

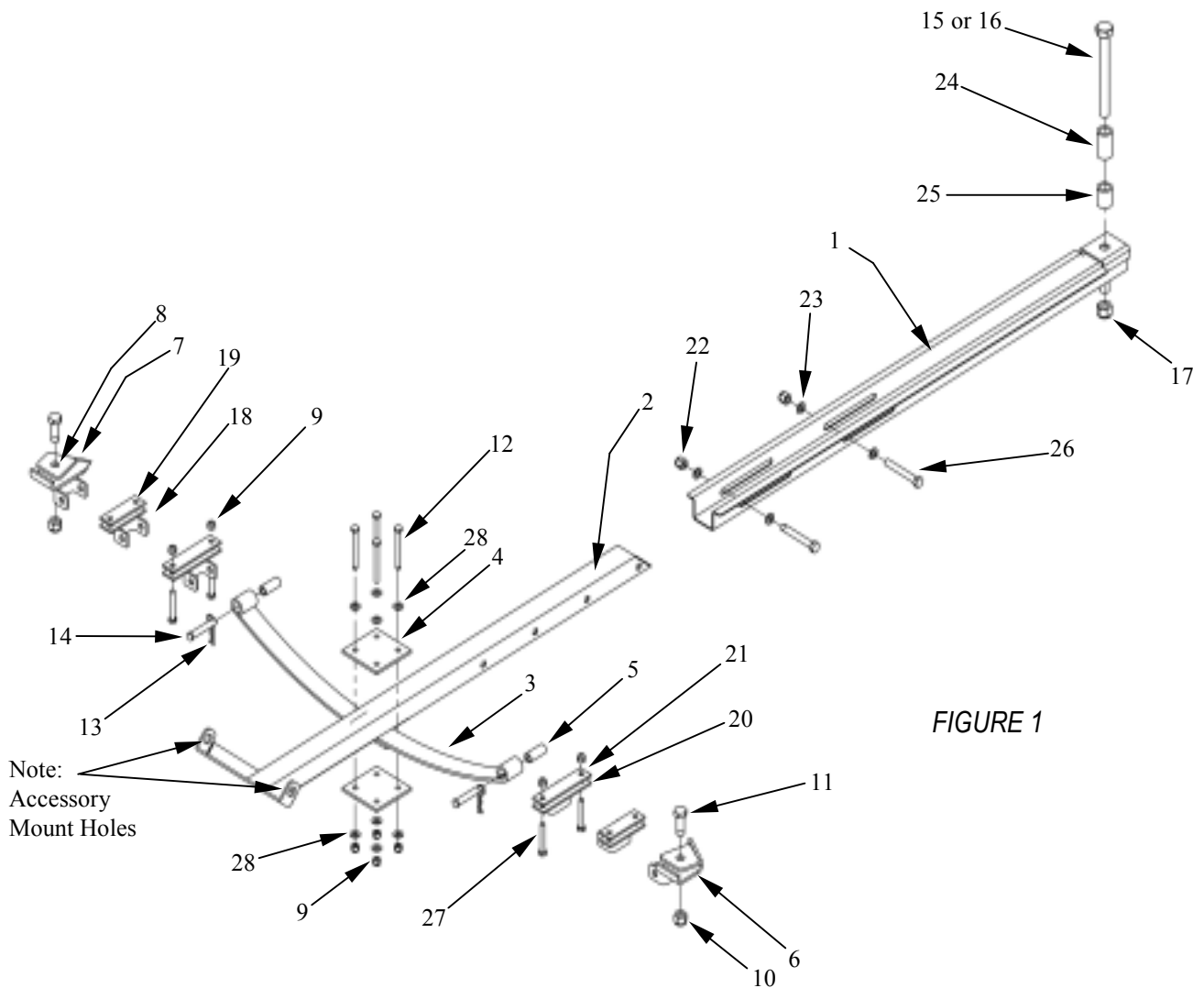


FIGURE 1

ITEM NO.	QTY.	PART NO.	DESCRIPTION	ITEM NO.	QTY.	PART NO.	DESCRIPTION
1	1	2630TK	Channel Mount	15	1	NB-655	3/4 - 10 X 7 1/2 GR 5 Bolt
2	1	2593TK	Slide Bar	16	1	NB243	3/4 - 10 X 5 GR 5 Bolt
3	2	2596TK	Leaf Spring	17	1	NB-609	3/4 - 10 Nyloc Nut
4	2	2631TK	Spring Shackle	18	2	2633TK	Mount Bracket Short
5	2	2596-1	Nylon Bushing	19	2	2635TK	Bracket Plate Short
6	1	2638TK	ATV Bracket Left	20	2	2632TK	Mount Bracket Long
7	1	2637TK	ATV Bracket Right	21	2	2634TK	Bracket Plate Long
8	2	2641TK	Backing Bracket R&L	22	2	NB-281	1/2 - 13 Nyloc Nut
9	8	NB-182	3/8 - 16 Nyloc Nut	23	4	NB-177	1/2 NR Mach Bushing
10	2	NB-561	5/8 - 11 Nyloc Nut	24	1	9609TK	Spacer 1.25 X .75 X 2.1875
11	2	NB-699	5/8 - 11 X 3 GR 5 Hex Bolt	25	1	2655TK	Spacer 1.25 X .75 X 1.5
12	4	NB-645	3/8 - 16 x 4 GR 5 Hex Head	26	2	NB-577	1/2 - 13 X 3 1/2 GR5 Bolt
13	2	NB-247	Hair Pin #10	27	4	NB-619	3/8 - 16 X 2 1/2 GR5 Bolt
14	2	NB-244	1/2 X 2 3/4 Clevis Pin	28	8	NB-272	3/8 SAE Washer

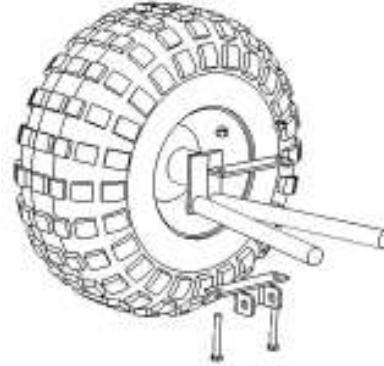
INSTALLATION OF ACCESSORY MOUNT



TO ENSURE PROPER INSTALLATION, CAREFULLY FOLLOW ALL INSTRUCTIONS LISTED BELOW

MOUNTING BRACKETS

Included with your new ATV accessories mount are three sets of mounting brackets for ATV's. Brackets 18,19 and 20,21 are two sets that will work on most ATV's. The determining factor is what type of A-arms (lower portion of the front axle) are used on your ATV. If your A-arm is narrow then use bracket set 18, 19. If your A-arm is wide then use bracket set 20,21. If you have a Polaris ATV use brackets 6, 7, and 8. **Note:** The Polaris brackets are right and left oriented. Make sure you set them up as shown in Fig. 1.



REFER TO FIGURE 1 WHILE INSTALLING THE ACCESSORY MOUNT

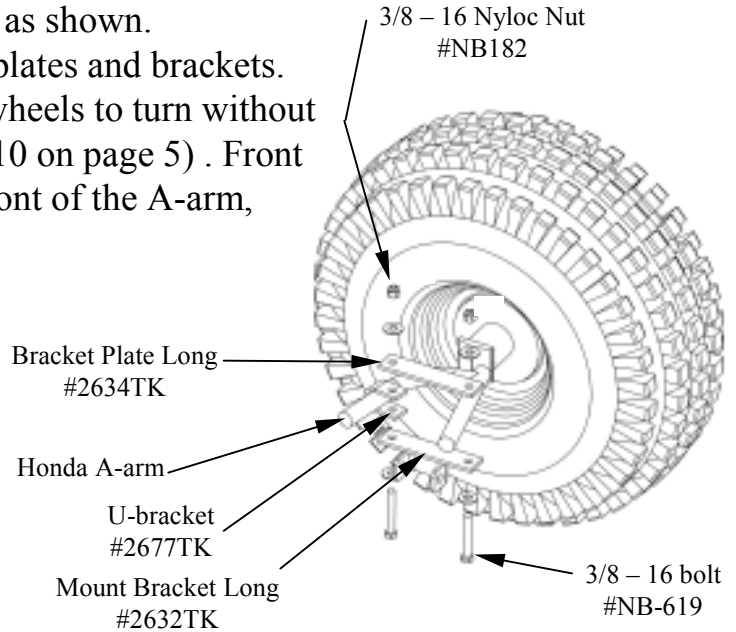
NOTE: The CV guards on your ATV maybe need to be trimmed or otherwise modified to allow for installation and proper clearance for the Accessory Mount.

- If needed, for clearance, raise the front of the ATV. Make sure the support used is very stable.
- Lay out the hardware under the ATV, as shown.
- Mount the proper brackets to the lower A-arms of your ATV as near as possible to the outside end. Do not securely tighten at this time.
- 4. Mount leaf springs (3) to mounting brackets with clevis pin (14) and hair pin (13).
- 5. Attach channel mount (1) to the ATV ball hitch mount with 3/4 - 10 bolt (15 OR 16) and 3/4 - 10 nyloc nut (18). **Note:** the spacers (24 and 25) need to be installed to keep the accessories mount assembly level and for clearance.
- 6. Using two 1/2 - 13 bolts (26), four 1/2 bushings (23) and two 1/2 - 13 nyloc nuts (22) attach slide bar (2) to channel mount (1).
- 7. If previously raised, lower the ATV to the ground.
- 8. Place the two leaf springs (3), from step 4 and the assembly from step 6 between the spring shackles (4). Secure with four 3/8 - 16 bolts (12), eight washers (28) and four nyloc nuts (9).
- 9. Adjust the slide bar (2) so the accessory mounting holes are approximately two inches ahead of the front wheels. The accessory mounting holes should also be approximately 9' above the ground for proper operation of the optional bucket and blade attachments. Some adjustment may be needed, after attachment is installed, to assure acceptable clearance between the attachment and the ATV.
- 10. **Check clearance between the mounting brackets and the ATV wheel rims by turning the ATV steering to the extreme right and then the extreme left. Adjust location of the brackets if necessary. Securely tighten all fasteners starting with the four bolts listed in step 8.**
- 11. Removal of the mount assembly: Remove hair pins (13), pull clevis pins (14) and remove the channel mount (1) from the ATV ball hitch. Leave the mounting brackets attached to the A-Arms. For ease of removal of the clevis pins the ATV should be in the same approximate raised or lowered position as when the bolts listed in steps 8 and 10 were tightened.

Honda Mounting Instructions

Installation Instructions

1. Place U-bracket over rear A-arm bar as shown.
2. Using supplied hardware, assemble plates and brackets. Position the brackets so they allow wheels to turn without contacting the rims (Reference step 10 on page 5) . Front bolt NB619 should be close to the front of the A-arm, contacting it if possible.

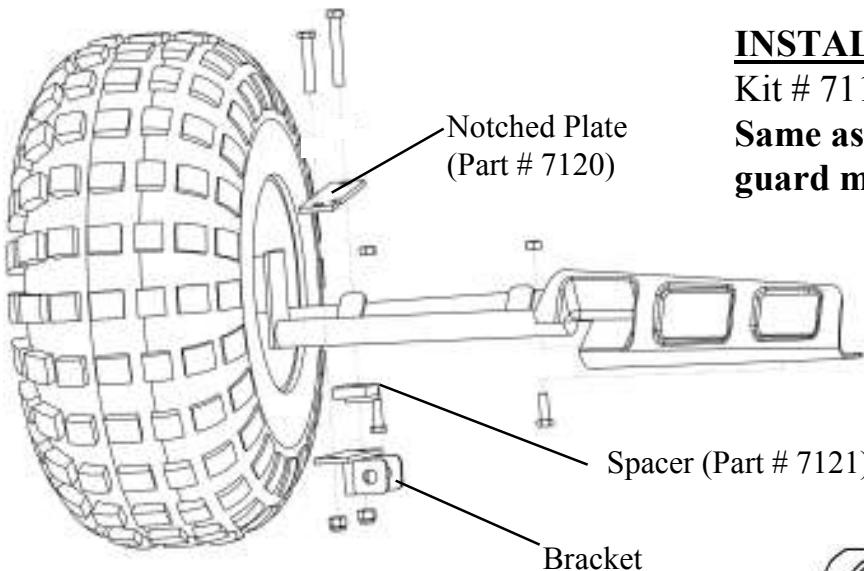


Bombardier Traxter Mounting Instructions

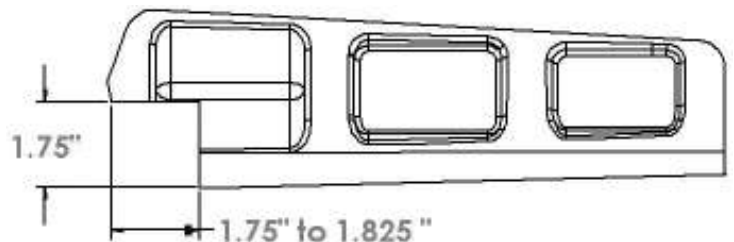
INSTALLATION INSTRUCTIONS

Kit # 7119 Required

Same as above with addition of spacer and guard modification



A Arm Guard Modification
Guard to be modified by Owner

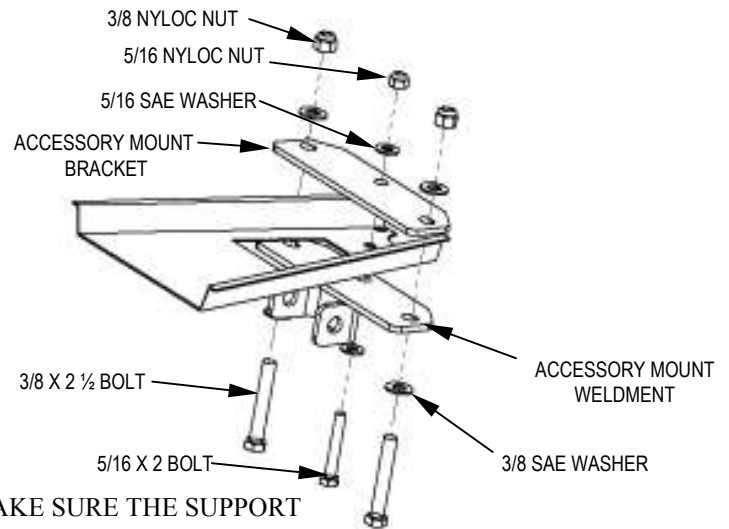


Bombardier Outlander

Accessory Mount Brackets Kit #7668

HARDWARE AND PARTS

2 - ACCESSORY MOUNT BRACKET	7669TK
2 - ACCESSORY MOUNT WELDMENT	7670TK
4 - 3/8-16 X 2 ½ BOLT	NB619
8 - 3/8 SAE WASHER	NB272
4 - 3/8 - 16 NYLOC NUT	NB182
2 - 5/16 - 18 X 2 BOLT	NB507
2 - 5/16 -18 NYLOC NUT	NB181
4 - 5/16 SAE WASHER	NB275



MOUNTING INSTRUCTIONS

(REFERENCE FIGURE ABOVE, LEFT SIDE SHOWN)

RAISE ATV SO THERE IS ENOUGH ROOM TO WORK. MAKE SURE THE SUPPORT USED TO HOLD UP THE ATV IS **VERY** STABLE. LAY OUT THE PARTS AND HARDWARE UNDER THE ATV.

MOUNT THE BRACKET AND WELDMENT AS SHOWN IN THE FIGURE. REPEAT THE SAME PROCESS FOR THE RIGHT SIDE.

REMOVE THE EXISTING 5/16 CENTER BOLT FROM THE A-ARM / WHEEL ASSEMBLY. DO NOT REMOVE ANY OTHER BOLTS FROM THE ASSEMBLY.

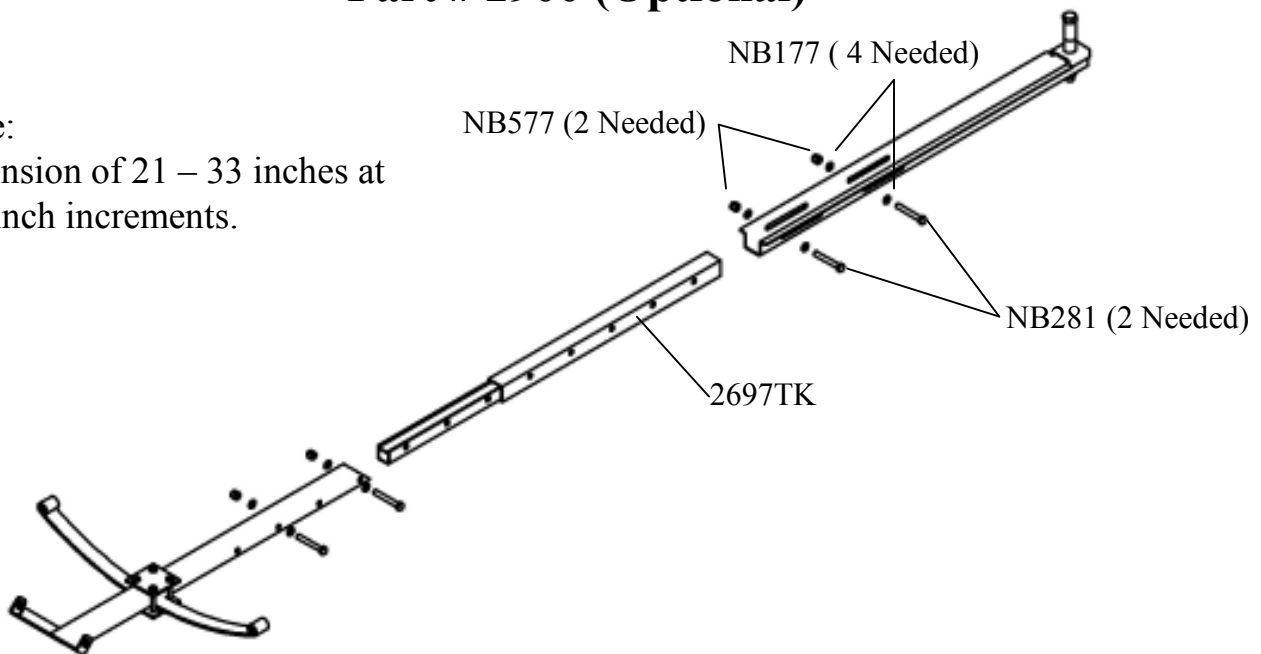
COMPLETE THE INSTALLATION OF THE ACCESSORY MOUNT USING THE INSTRUCTIONS ON PAGE 5 OF THIS MANUAL.

Bombardier Traxter Max Extension Kit

Part # 2900 (Optional)

Note:

Extension of 21 – 33 inches at Six inch increments.





MANUFACTURING QUALITY LAWN CARE EQUIPMENT SINCE 1945

Owner's Manual

**Accessories Mount
2646**

**Extension Kit
2900**

**Mount Kit Traxter
7119**

**Mount Kit Outlander
7668**



**IMPORTANT
Read and follow all
Safety Precautions
and Instructions
Before Operating this
Equipment.**

ATV ACCESSORIES

**WHEN ORDERING PARTS, PLEASE HAVE THE
FOLLOWING INFORMATION AVAILABLE:**

- * PRODUCT - _____
- * SERIAL NUMBER - _____
- * MODEL NUMBER - _____
- TYPE - _____
- * PART NUMBER WITH PAINT CODE
- * PART DESCRIPTION

**TELEPHONE - 1-800-222-8183
FAX - 1-660-747-8650**

**SWISHER MOWER & MACHINE CO. INC.
1602 CORPORATE DRIVE
P.O. BOX 67
WARRENSBURG, MO 64093**

swisherinc.com