

## A.T.V. Rear Flat Rack

### Parts List:

#### Assembly Instructions:

1. Position the flat rack on the rear rack of the A.T.V., (Note: some models of A.T.V.'s require that you remove the rack extension in order for the drop basket to fit properly).
2. Using two mounting brackets, two bolts, two Nyloc nuts and four flat washers; secure the flat rack to the original rack (one mounting bracket goes on top of the flat rack and one under the ATV rack). Make sure that the bracket on top of the flat rack frame is positioned over the square tube frame and not only over a section of expanded metal. Expanded metal will deform.
3. Repeat step 2 three more times, spacing the mounting brackets evenly and in the most secure positions for your application. Check the flat rack for proper alignment on rack, and tighten hardware securely.

**Warning: When loading your drop basket with cargo, do not exceed the ATV manufacturer's recommended rack weight carrying capacity.**

**Note: Check all nuts and bolts regularly for tightness. Re-tighten as needed.**

Thank you for purchasing this quality A.T.V. accessory. We are confident that it will provide you with years of trouble free service.

#### Parts List

2534TK – Rear Flat Rack

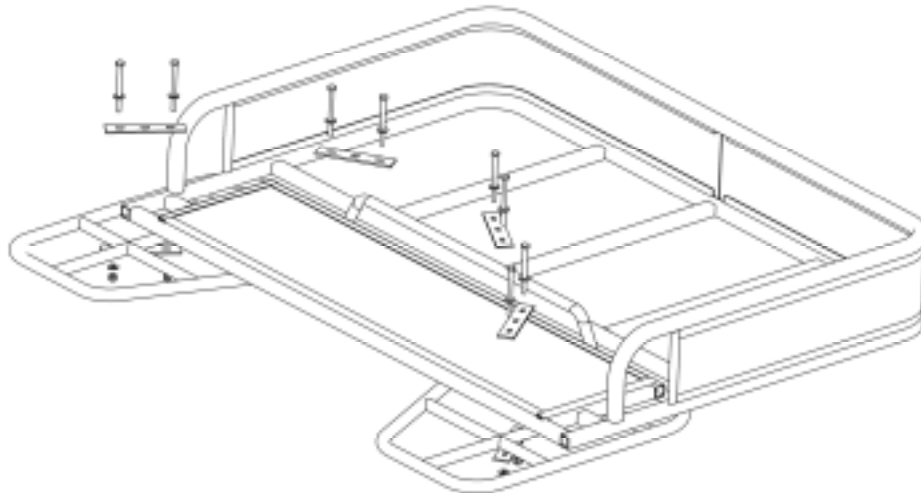
2474 – Hardware Bag

2384K – Mounting Brackets (8)

NB574 – \_-20 x 3 Bolts (8)

NB180 – \_-20 Nyloc Nuts (8)

NB274 – \_ Flat Washers (16)



## A.T.V. Drop Basket Fit List:

Swisher racks will fit most all A.T.V.'s with an existing flat rear rack whose protrusions will fit up and through a 1 \_" x 39" opening. These racks include but are not limited to:

### Arctic Cat:

96-98	454
99-01	300, 400, 500

### Honda:

93-00	TRX 300
95-02	TRX 400 Foreman
98-02	TRX 450 Foreman
00-02	TRX 350 Rancher
01-02	TRX 500 Rubicon

### Kawasaki:

88-01	KLF 220
88-01	KLF 300 & 400
97-01	KVF 400 Prairie
2002	Prairie 650

### Polaris:

92-93	350L
94-95	300, 400L
95-98	425 Magnum

### Suzuki:

98-01	500 Quadmaster
99-01	King Quad
99-01	500 Quadrunner
99-01	250 Quadrunner

### Yamaha:

96-02	YFM Kodiak
98-01	YFM Grizzly
97-01	YFM 350 Big Bear
00-02	400 Big Bear
2002	Grizzly 660

Swisher racks will not fit:

### Suzuki:

90-98	LT 4WD, LTF250 2x4
91-98	LT King Quad 4x4