



swisherinc.com

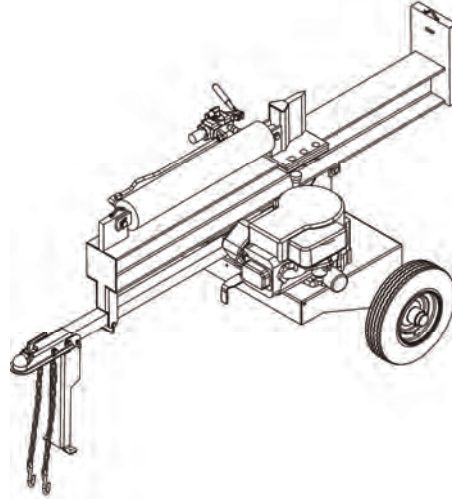
OWNER'S MANUAL

**MODEL
NO.
LS11528HP**

STARTING SERIAL #
L110-103001

IMPORTANT
Read and follow all Safety
Precautions and Instructions
before operating this
equipment.

Rev. 10-159



Model LS11528HP Shown

LOG SPLITTER

**Safety
Assembly
Operation
Service and Adjustment
Repair Parts**

1602 CORPORATE DRIVE, WARRENSBURG, MISSOURI 64093 PHONE 660-747-8183
FAX 660-747-8650

Manufacturing quality lawn care equipment since 1945

Made In The
USA

LIMITED WARRANTY

The manufacturer's warranty to the original consumer purchaser is: This product is free from defects in materials and workmanship for the period's shown below beginning from the date of purchase by the original consumer purchaser. We will repair or replace, at our discretion, parts found to be defective due to materials or workmanship. This warranty is subject to the following limitations and exclusions:

Engine Warranty	All engines utilized on our products have a separate warranty extended to them by the individual engine manufacturer. Any engine service difficulty is the responsibility of the engine manufacturer and in no way is Swisher, or its agents responsible for the engine warranty. Engine warranty and contact information is as shown in the engine owners manual.
Hydraulic System	1 Year
Steel Components	3 Years
Commercial Use	The warranty period for this product when used for commercial or rental is limited to ninety (90) days from the date of original purchase.
Limitation	This warranty applies only to products which have been properly assembled, adjusted, and operated in accordance with the instructions contained within this manual. This warranty does not apply to any product of Swisher that has been subject to alteration, misuse, abuse, improper assembly or installation, shipping damage, or to normal wear of product.
Exclusions	Excluded from this warranty are normal wear items, normal or routine adjustments, and normal or routine maintenance.

In the event you have a claim under this warranty, you must return the product to an authorized service dealer. All transportation charges, damage, or loss incurred during transportation of parts submitted for replacement or repair under this warranty shall be borne by the purchaser. Should you have any questions concerning this warranty, please contact us toll-free at 1-800-222-8183. The model number, serial number, date of purchase, and the name of the authorized Swisher dealer from whom you purchased the splitter will be needed before any warranty claim can be processed.

THIS WARRANTY DOES NOT APPLY TO ANY INCIDENTAL OR CONSEQUENTIAL DAMAGES AND ANY IMPLIED WARRANTIES ARE LIMITED TO THE SAME TIME PERIODS STATED HEREIN FOR ALL EXPRESSED WARRANTIES. Some states do not allow the limitation of consequential damages or limitations on how long an implied warranty may last, so the above limitations or exclusions may not apply to you. This warranty gives you specific legal rights and you may have other rights, which vary from state-to-state. This is a limited warranty as defined by the Magnuson-Moss Act of 1975.

SAFETY PRECAUTIONS



This Safety Alert Symbol indicates important messages in this manual. When you see this symbol, carefully read the message that follows and be alert to the possibility of personal injury.

Read this manual completely. This machine can amputate hands, feet, and throw objects. Failure to observe the following safety instructions could result in serious injury or death.



WARNING: The engine exhaust from this product contains chemicals known to the state of California to cause cancer, birth defects or other reproductive harm.



DANGER: Your log splitter was built to be operated according to the rules for safe operation in this manual. As with any type of power equipment, carelessness or error on the part of the operator can result in serious injury. If you violate any of these rules, you may cause serious injury to yourself or others.

- Read and understand the manual. Learn to operate this equipment in a safe manner. Familiarize yourself with all of the controls in a safe environment before starting to work with this machine.
- DO NOT under any circumstances alter this log splitter. This equipment was designed and engineered in accordance with operating instructions. Altering this equipment, or using this equipment in such a way as to circumvent its design capabilities and capacities, could result in serious injury or fatality and **WILL VOID THE WARRANTY**.
- Allow **ONLY** responsible adults who have read this manual to operate this machine. **NEVER** allow children to operate this machine.
- **NEVER** operate or allow someone to operate this equipment while under the influence of alcohol, drugs or medication. Being coherent is essential for safety.
- **ALWAYS** use outdoors with adequate ventilation. **DON'T** run the engine in an enclosed area. Exhaust gases contain carbon monoxide. This odorless gas can be deadly when inhaled.
- **NEVER** use splitter for any other purpose than splitting wood. Any other use can result in injury. Your splitter is a precision piece of power equipment, not a toy. Therefore, exercise extreme caution at all times.
- **ONLY** a single operator is to load and operate the log splitter. **KEEP** all others, including pets and children, a minimum of 20 feet away from your work area. More accidents occur when more than one person operates the log splitter than any other time.
- **ALWAYS** wear protective gear such as safety goggles, protective hearing device, steel-toed shoes, and tight-fitting gloves without drawstrings or loose cuffs.
- **NEVER** wear loose clothing or jewelry that can be caught by moving parts of the splitter and pull you into it. Keep hair away from moving parts.
- **NEVER** operate your splitter on wet, muddy, or icy surfaces. **KEEP** work area clean of split wood. Safe footing is essential in preventing accidents.
- **ONLY** operate splitter on level ground with wheels blocked, not on the side of a hill. It could tip, or rolling logs, poor footing, etc. could cause an accident.

- NEVER operate your splitter near a flame or spark. Hydraulic oil and gasoline are flammable and can explode.
- NEVER fill gas tank while the engine is hot or running. Allow the engine to cool before refueling.
- This unit is equipped with an internal combustion engine and should not be used on or near any unimproved forest-covered, brush-covered or grass-covered land unless the engine's exhaust system is equipped with a spark arrester meeting applicable local or state laws (if any). If a spark arrester is used it should be maintained in effective working order by the operator.

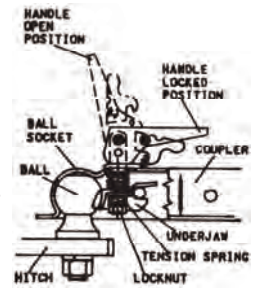
-NOTE-

In the state of California, the above is required by law (Section 442 of the California Public Resources Code). Other states may have similar laws. Federal laws apply on federal lands. A spark arrester muffler (optional by manufacturer) is available at your nearest engine dealer. Check legal requirements in your area.

- ONLY use your hands to operate the control lever. NEVER use foot, knee, rope or any extension device.
- Split ONLY one log at a time. NEVER attempt to split two logs on top of each other.
- NEVER place hands or feet between log and splitting wedge or between log and ram during forward or reverse stroke. ALWAYS keep fingers clear of splits that open in log during splitting operation.
- DO NOT straddle or reach across the splitting area while operating the splitter.
- DO NOT step over splitter when the engine is running. You may trip or accidentally activate the splitting wedge. Walk around to get to the other side.
- NEVER attempt to load splitter while splitting wedge is in motion. When loading log splitter, place hands on the sides of the log, not the ends.
- NEVER attempt to split woods across the grain. Wood may burst or fly out of your splitter and result in serious injury.
- NEVER leave your splitter unattended with the engine running. Shut off the engine if you are leaving your splitter, even for a short period of time. Someone could accidentally activate the ram and be injured.
- Both ends of the log should be cut as squarely as possible to prevent the log from sliding out of the splitter during operation. Log length should be kept to 24" or less.
- NEVER operate your splitter while it is attached to the tow vehicle.
- BEFORE towing, be certain that the splitter is securely attached to the towing vehicle and that the support leg, beam and cylinder are secured in their respective towing positions.
- NEVER allow persons to ride on splitter. DO NOT carry any cargo or wood on your splitter. It may fall off and cause an accident.
- DO NOT loosen or remove any hydraulic fitting, line or reservoir cap while your splitter or engine is running.
- Fluid escaping from a very small hole can almost be invisible. DO NOT check for leaks with your hand. See maintenance section for instructions. **IF injured by escaping fluid, see a doctor at once. Serious infection or reaction can develop if proper medical treatment is not administered immediately.**
- DO NOT operate your splitter in poor mechanical condition or when it is need of repair.
- ALWAYS disconnect the spark plug wire and place the wire where it cannot contact the spark plug, to prevent accidental starting the engine when setting up, transporting, adjusting or repairing.

TOWING SAFETY

- Do not allow persons to ride on splitter. Do not carry any cargo or wood on your splitter. It may fall off and endanger vehicles that are following you.
- Be sure support leg is in the travel position and coupling secure. This must also be retracted so not to interfere while towing. Retract support leg by removing pin, pivoting up, and replacing pin.
- Never exceed 45 MPH while towing your splitter. Be extra cautious when traveling over rough terrain, especially over railroad tracks.
- Always be careful while backing your splitter. You could jackknife your log splitter if not careful.
- Before using splitter, disconnect it from tow vehicle. A log could easily be pushed forward into the vehicle.
- See tire and wheel specifications for PSI while towing.
- Be aware of the extra length of splitter while turning, parking, crossing intersections, and in all driving situations.



OPERATION INSTRUCTIONS POSI-LOCK COUPLER

ADJUST COUPLER LOCKING PRESSURE ON BALL BEFORE USE. PLACE HANDLE IN LOCKED POSITION WITH BALL IN COUPLER. TIGHTEN LOCKNUT AGAINST TENSION SPRING SO THAT COUPLER IS NOT LOOSE ON BALL. CORRECT ADJUSTMENT WILL ALLOW HANDLE TO BE RELEASED WITH MODERATE PRESSURE APPLIED TO HANDLE.

TO OPEN, PULL UP ON COUPLER HANDLE AND ROTATE FORWARD. PLACE COUPLER ON BALL WHEN BALL IS COMPLETELY NESTED IN BALL SOCKET, ROTATE COUPLER HANDLE BACKWARD UNTIL HANDLE IS IN LOCKED POSITION.

AFTER TOWING FOR 50 MILES, CHECK COUPLER FOR TIGHTNESS ON BALL. ALWAYS CHECK TIGHTNESS BEFORE TOWING. BE SURE COUPLER HANDLE IS IN LOCKED POSITION.

WARNING:

NEVER EXCEED WEIGHT CAPACITY AND ALWAYS USE SAFETY CHAINS. ALWAYS USE CORRECT BALL SIZE, MAKING SURE BALL IS COMPLETELY INSERTED INTO COUPLER. LOCK COUPLER HANDLE SECURELY BEFORE TOWING. ALWAYS CHECK FOR DAMAGES AND REPLACE IF DAMAGED. AVOID SHARP TURNS AND STEEP VERTICAL ANGLES WHEN TOWING.

ASSEMBLY

This log splitter has been partially assembled at the factory. Refer to the drawings and part lists should it become necessary to disassemble the unit for repair or replacement of parts.

Inspect all components for damage. If you believe you have a damaged part please contact customer service immediately at 1-800-222-8183.

WARNING: Exercise extreme caution, as parts are very heavy. Sufficient persons or mechanical handling equipment should be used.

Refer to uncrating and assembly instructions for assembly procedures.

OPERATION

INTENDED USE: This log splitter is intended and designed to only split wood. NEVER use for any other purposes. Doing so can cause injury or VOID THE WARRANTY.

IMPORTANT: This unit is shipped with oil but without gasoline in the engine. After assembly, see separate Engine Manual for proper fuel and oil recommendations.

WARNING: *DO NOT START OR RUN THE LOG SPLITTER WITHOUT OIL IN THE ENGINE AND HYDRAULIC RESERVOIR.*

FILLING THE HYDRAULIC RESERVOIR

Fill the hydraulic reservoir to within the hydraulic operating range as marked on the tank with general-purpose automatic transmission fluid or general-purpose hydraulic fluid. After the hydraulic reservoir and the engine crankcase are filled correctly with their respective oils, start the engine. Remember to set the throttle and turn on the fuel shut-off valve. The hydraulic pump should prime itself. With the engine running, move the hydraulic valve lever toward the wedge. This will cause the cylinder to extend and expel air. When the cylinder is fully extended, retract it. Repeat this procedure several times. (An erratic movement of the cylinder indicates that there is air in the system). Once the cylinder has a smooth and constant speed indicating that all air has been expelled, add fluid until the level is within the indicated range as marked on the tank.

START UP



WARNING: *DO NOT START OR RUN THE LOG SPLITTER WITHOUT OIL IN THE ENGINE AND HYDRAULIC RESERVOIR.*

See separate Engine Manual for fuel and oil recommendations. If applicable your log splitter has come equipped with a fuel shut-off valve for towing purposes.

Before starting engine make sure crankcase is filled correctly with oil and the proper fuel has been used. The engine will only start when the throttle lever and fuel shut-off valve if applicable are turned to their ON positions.

STARTING INSTRUCTIONS

1. Move throttle control to "FAST."
2. Set Choke to on position (if applicable) or push primer bulb three (3) times. **NOTE:** Do not use primer or choke to restart a warm engine after a short shutdown.
3. Grasp rope handle and pull out slowly until resistance is felt. Then pull rapidly with a full arm stroke. **NOTE:** If engine fails to start after three (3) pulls, repeat steps 1 and 2.
4. When Engine starts, set choke to off position (if applicable) leave throttle control at "FAST." The throttle must be set in the fast position for maximum performance.
5. To stop engine, move throttle lever to "SLOW" for a few seconds then to "STOP."

COLD WEATHER START UP

The Cold Weather Clutch enables the engine to be started without having to pull through cold, thickened hydraulic fluid. Simply push the handle in to the locked position. Start engine, let it warm up, and release Cold Weather Clutch.

SPLITTER OPERATION

1. Set up the log splitter in a clear, level area and block the wheels. The suction port on the tank should always be on the lower side of the log splitter.
2. Place a log on the beam, against the foot plate. Make sure the log is securely on the foot plate and up against the beam.
3. Depress the valve lever so that the cylinder will drive the wedge into the log. Extend the cylinder until the log splits or to the end of its stroke. If the log has not completely split after the cylinder has reached the end of its extension, retract the cylinder. **NOTE:** Leaving the valve in the “actuate” position at the end of the stroke may damage the pump. Always use extra care when splitting logs with ends that are not square.

NOTE: To extend the life of the hydraulic cylinder, avoid “BOTTOMING OUT” the cylinder.

TOWING SAFETY

This unit should not be towed on any street, highway, or public road without checking the existing federal, local, and state laws. Any licensing or modifications such as taillights, etc., need to comply with existing federal, local, or state vehicle requirements is the sole responsibility of the purchaser. Obey all regulations when towing on public roads and highways. See also **SAFETY PERCAUTIONS**.

Turn the fuel shut-off valve if applicable OFF to prevent flooding of the engine while traveling.

Be careful when backing up. You can easily jack-knife your splitter.

TOWING AT NIGHT

The requirements for taillights are based on States regulations. Some states allow towing at night as long as the towed equipment does not visibly impair the tow vehicle taillights. This is based on a state, to state requirements. The customer is responsible for meeting the states requirements.

If a “Statement of Origin” is required in your state, see your local dealer to receive one.

HYDRAULIC SAFETY

The hydraulic system on your splitter requires careful inspection along with the mechanical parts. Be sure to replace any frayed, kinked, cracked or otherwise damaged hydraulic components. Just because it isn't leaking today doesn't mean that it will not fail tomorrow.

Fluid escaping from a very small hole can almost be invisible. Do not check for leaks with your hand. Escaping fluid under pressure can have sufficient force to penetrate skin causing serious personal injury or even death. Leaks can be detected by passing a piece of cardboard or wood over the suspected leak and looking for discoloration. **IF injured by escaping fluid, see a doctor at once. Serious infection or reaction can develop if proper medical treatment is not administered immediately.**

Should it become necessary to loosen or remove any hydraulic fittings, lines or reservoir cap, be sure to relieve all pressure by shutting of the engine and moving the control handle back and forth several times.

NEVER remove the cap from the hydraulic tank or reservoir while the unit is running. Hot oil under pressure could result in serious injury. See also **SAFETY PERCAUTIONS**.

The pressure relief valve on your splitter is preset at the factory. DO NOT adjust the valve. Only a qualified technician should perform this adjustment.

MAINTENANCE AND STORAGE

WARNING: DISCONNECT THE SPARK PLUG BEFORE PERFORMING ANY MAINTENANCE.

Consult the operating and maintenance instructions of the engine manufacturer for engine care.

Always check the oil level of the hydraulic reservoir before operation. Operating without an adequate oil supply will cause severe damage to the pump. Change the hydraulic fluid in the reservoir after every 100 hours of operation. Change the hydraulic filter after every 50 hours of operation (use only a 10 micron hydraulic filter).

Periodically check that all nuts, bolts, screws, clamps and fittings are tight and secure.

To keep your splitter in top working condition perform all recommended maintenance procedures before you use your splitter.

If the wedge becomes dull or nicked a grinder or sharpening tool can be used to sharpen it.

Completely drain the fuel tank prior to storage. Always store gasoline in an approved, tightly sealed container. Store container in a dry, cool place with adequate ventilation. Keep fuel away from areas where fumes could contact open flame, pilot light or sparks.

Be aware of the environment when disposing of used petroleum products. Please dispose of used hydraulic fluid, engine oil and any by products from the maintenance of your splitter at approved recycling centers.

Should it become necessary to disassemble the unit for repair or replacement of parts, refer to the drawings and parts list on the following pages. Exercise extreme caution, as some parts are very heavy and will require sufficient persons or mechanical handling equipment.

Your Swisher Log Splitter has been produced with components designed specifically to this machine. Although standard springs, hardware and ect may look similar to parts used on other machinery, they may in some cases be made of a different construction and/or materials. All replacement parts must meet manufacturer's specifications.



The operation of any splitter can produce foreign objects which can be thrown into the eyes, resulting in severe eye damage. Always wear certified safety glasses or wide-vision safety goggles over spectacles before staring any splitting machine and while operating such a machine.



The operation of any splitter produces sound waves that are damaging to the human ear. Ear protection is recommended.

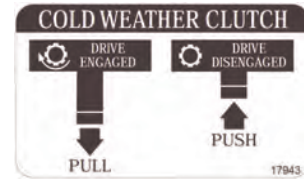


SAFETY DECALS

Replace decals immediately if damaged.



OD16 – FUEL SHUT OFF DECAL



17943 – COLD WEATHER DECAL



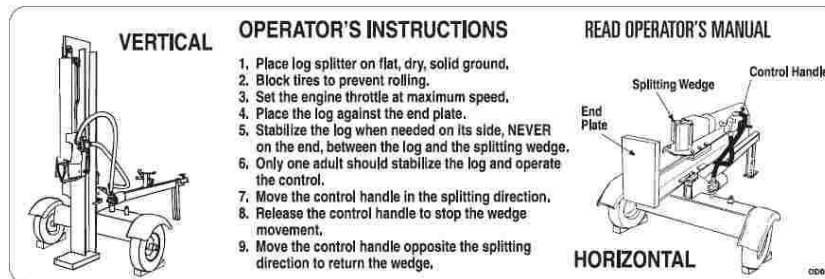
12494 – HYDRAULIC FILL PLUG DECAL



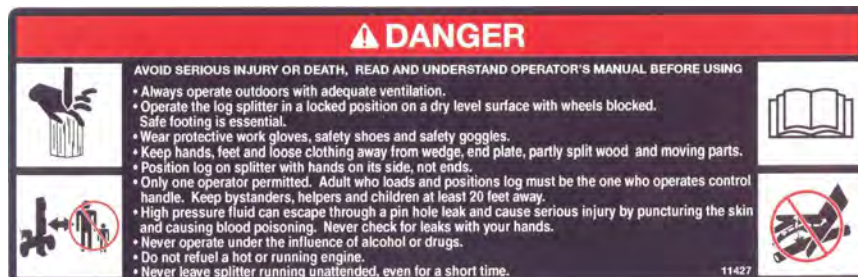
12549 – DO NOT EXCEED 45 MPH DECAL



12532 – HYDRAULIC OIL DECAL



12492 – OPERATOR INSTRUCTION DECAL

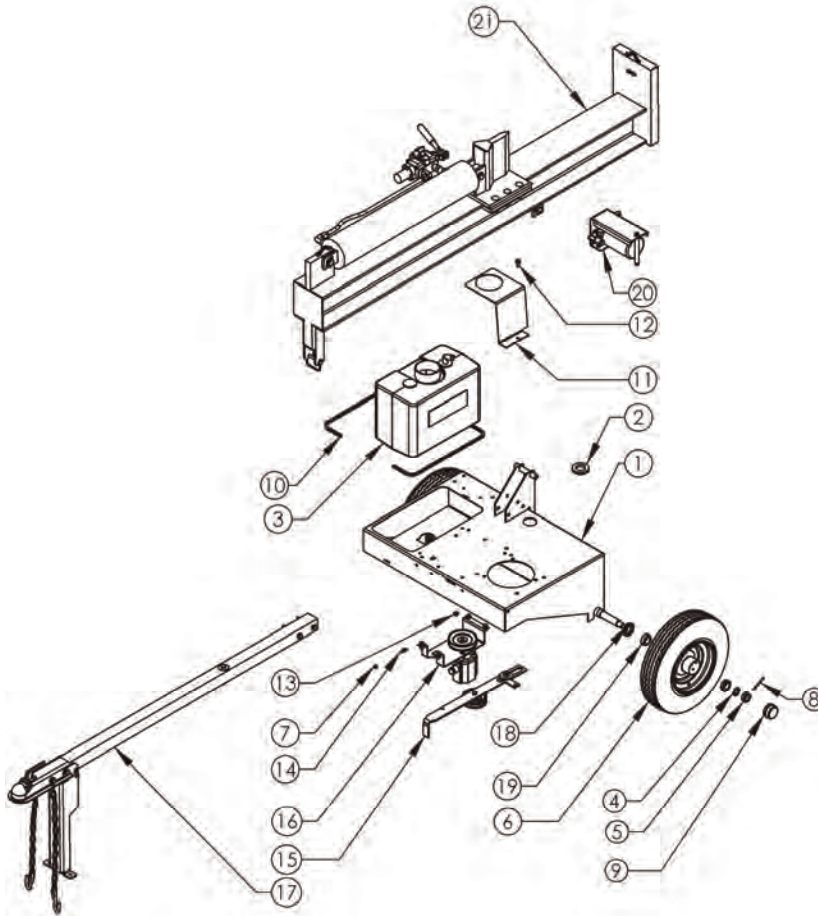


11427 – DANGER DECAL

SERVICE PARTS

Please have Model and Serial Numbers ready when ordering parts.

Color cannot be guaranteed upon service parts.



Note: Engine removed for clarity

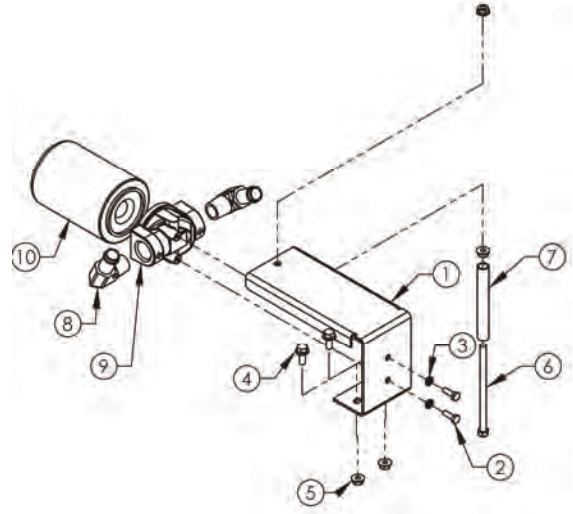
ITEM NO.	QTY.	PART NO.	DESCRIPTION
1	1	16642TK	WELDMENT - MOTOR BASE
2	1	12441	Grommet - Blk Neoprene 1 1/2X2 GDX3/32 GT
Not Shown	1	18133	Cap - Thread Vented, 5 Gal Tank
3	1	17625	TANK - 5 GALLON WITH FITTINGS
4	2	NB184	3/4ID X 1 1/4OD 10 GA. Washer
5	2	2203CN	Wheel Hub Castle Nut For W17002A
6	2	7296	WHEEL/TIRE - W/ BEARINGS AND SEAL (4 PLY)
7	1	NB180	1/4-20 Nylok Nut
8	2	NB633	PIN - COTTER 1/8" X 2"(EXT PRONG CRBN STL)
9	2	2203DC	Wheel Hub Dust Cover For W17002A
10	2	AS116	EDGING - PROTECTIVE
11	1	17529TK	TANK HOLD DOWN
12	1	NB596	BOLT - 5/16" X 18 UNC X .75" FLANGE HEAD
13	1	NB170	NUT - 5/16-18 SERR FLANGE
14	1	V 139EB	1/4-20 X 3/4 Eye Bolt
15	1	SUBASSEMBLY- IDLER	SEE DETAIL VIEW
16	1	PUMP SUBASSEMBLY	SEE DETAIL VIEW
17	1	TONGUE ASSEMBLY	SEE DETAIL VIEW
18	2	2203S	Wheel Hub Bearing Seal For W17002A
19	4	2203B	Wheel Hub Bearing For W17002A
20	1	FILTER SUBASSEMBLY	SEE DETAIL VIEW
21	1	BEAM ASSEMBLY	SEE DETAIL VIEW
Not Shown	2	LS4999	Clamp - Hose No. 16
Not Shown	4	LS5001	Clamp - Hose No. 12
Not Shown	1	7289	Hose - Hydraulic Pressure
Not Shown	1	14921	Hose - Supply, 1" ID X 16-7/8" Long
Not Shown	1	16067	Hose - Return 55'
Not Shown	1	18088	Hose - Return, 3/4 X 11

FILTER

DETAIL VIEW

NOTE: The directional flow arrows on the filter head (LS1112) should show the direction of flow into hydraulic reservoir.

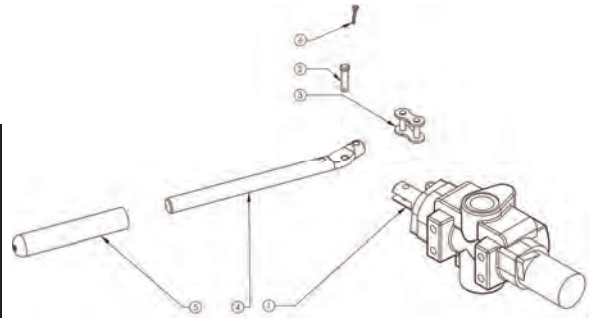
ITEM NO.	QTY.	PART NO.	DESCRIPTION
1	1	17627TK	MOUNT - FILTER
2	2	NB250	1/4-20 X 3/4 GR5 ZP
3	2	NB135	Washer - 1/4 Split Lock, Medium Duty
4	2	NB596	BOLT - 5/16" X 18 UNC X .75" FLANGE HEAD
5	4	NB170	NUT - 5/16-18 SERR FLANGE
6	1	NB521	5/16-18X5.5 HCC GR5 ZP
7	1	17595TK	SPACER - FILTER GUARD
8	2	7329	Fitting Return Line (4501-12-12)
9	1	LS1112	HEAD-FILTER (FFC3012NXXR4X)
10	1	LS1113	Element-Filter (FPE30-25N)(BT839)



CONTROL VALVE

DETAIL VIEW

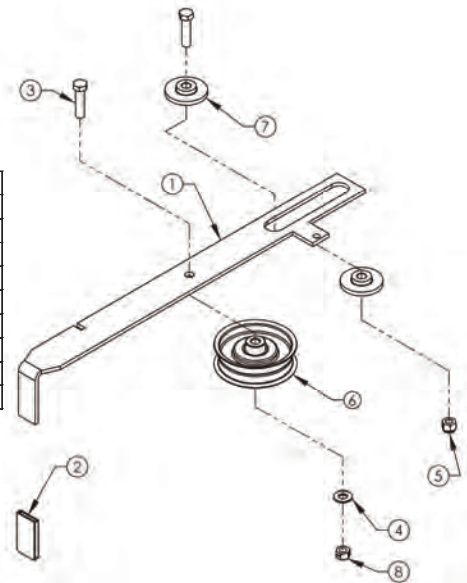
ITEM NO.	QTY.	PART NO.	DESCRIPTION
1	1	7287TK	Valve Control Splitter
Not Shown	1	7387	Fitting - Valve Inlet
2	1	NB522	1/4 X 1 CLEVIS PIN
3	1	7424	Master Link
4	1	7423	HANDLE VALVE
5	1	7425	Valve Handle Grip
6	1	NB-597	3/32 X 3/4 COTTER PIN



IDLER

DETAIL VIEW

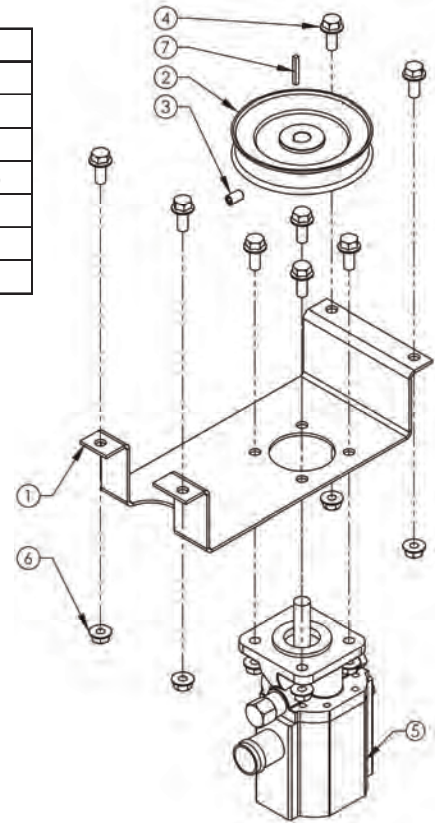
ITEM NO.	QTY.	PART NO.	DESCRIPTION
1	1	16626TK	Idler, Sliding / Cold Weather
2	1	2077	HANDLE GRIP, PIVOT
3	2	NB107	3/8-16 X 1 1/2 HCCG
4	1	NB272	3/8 SAE WASHER
5	1	NB182	3/8-16 NYLOC NUT
6	1	B527	Idler Pulley OD-3.25", ID-3/8"
7	2	6037	IDLER BUSHING
Not Shown	1	BRS6	Spring - For Idler Arm
8	1	NB280	NUT - LOCKING, 2 WAY 3/8-16 & WAS GR A



PUMP

DETAIL VIEW

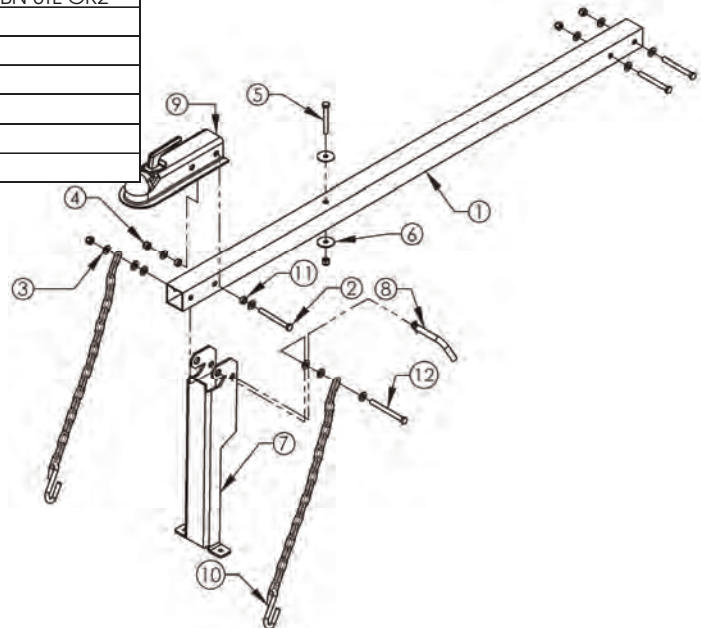
ITEM NO.	QTY.	PART NO.	DESCRIPTION
1	1	16641TK	MOUNT - PUMP
2	1	7306	Pulley- Pump 4.25"
3	1	NB312	5/16-18 X 1/2 SSC With Loctite H
4	8	NB596	BOLT - 5/16" X 18 UNC X .75" FLANGE HEAD
5	1	17094	HYDRAULIC PUMP - 16GPM
6	8	NB170	NUT - 5/16-18 SERR FLANGE
7	1	9031	Key Stock - 1/4 X 1

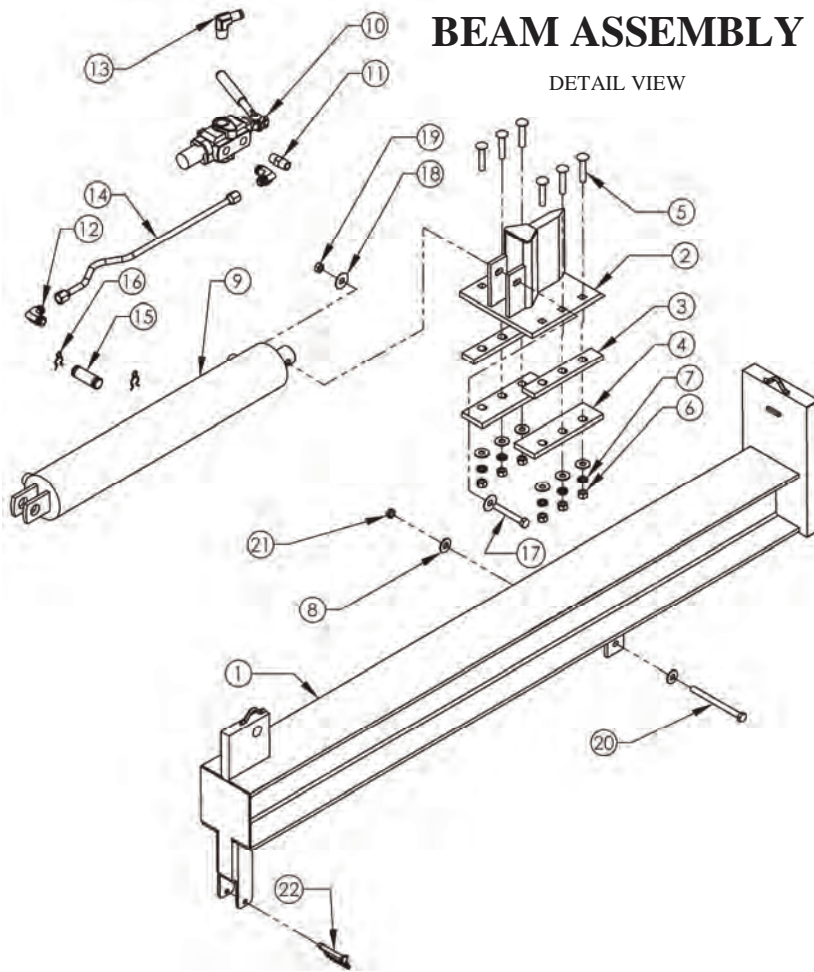


TONGUE

DETAIL VIEW

ITEM NO.	QTY.	PART NO.	DESCRIPTION
1	1	12346TK	Log Splitter Tongue
2	3	NB649	3/8-16 X 3 1/2 GR5
3	12	NB272	3/8 SAE WASHER
4	5	NB182	3/8-16 NYLOC NUT
5	1	NB150	3/8 - 16 x 3
6	2	10177	WASHER - FENDER 3/8 X 1 1/2, CRBN STL GR2
7	1	14924TK	Stand - Folding
8	1	NB606	1/2" x 3" Bent Pin w/Hair Clip
9	1	7365	2" Ball Coupler
10	2	7366	Safety Chain W/S Hook
11	2	7840Z	Latch Pin Guide Bushing
12	1	NB645	BOLT - 3/8-16 X 4 HCC GRD5 ZY



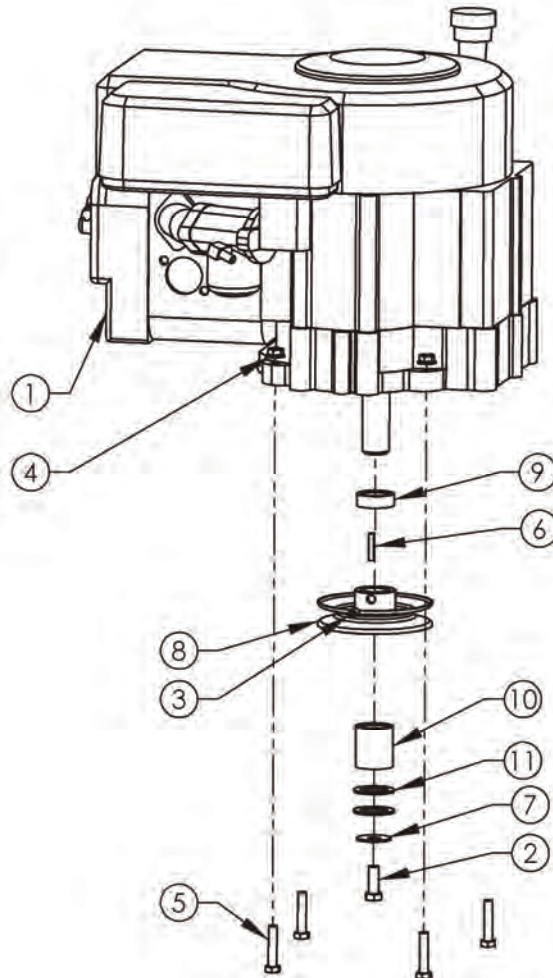


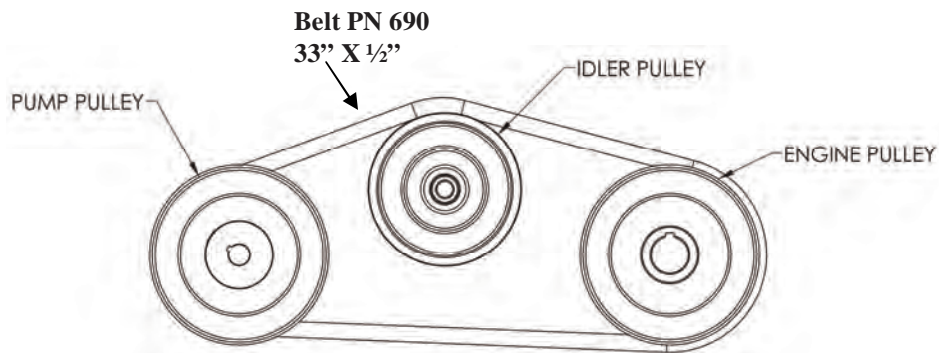
ITEM NO.	QTY.	PART NO.	DESCRIPTION
1	1	14900TC	Weldment - LS W 6X20 I- Beam
2	1	14622TK	WEDGE WELDMENT - LOG SPLITTER
3	2	14619TK	SPACER - WEDGE, LOG SPLITTER
4	2	14620TK	PLATE - WEDGE BOTTOM, LOG SPLITTER
5	6	NB643	BOLT - CARRIAGE 1/2-13 X 2 1/2 GR5 ST ZY
6	6	NB213Z	NUT - 1/2-13 GR2 ZP
7	6	NB508	500 LOCK WASHER
8	8	NB555	1/2 USS Flat Washer ZP
9	1	7354TK	Cylinder - 4 1/2 X 24 X 1.75, Painted
10	1	7287TK	Valve Control Splitter Assy
Not Shown	1	12578	Cap - Plastic
11	1	7292	Pipe Nipple 24SA-08
12	2	7291	ELBOW - HYDRAULIC 1/2 X 1/2 THREAD ZY
13	1	7329	Fitting Return Line (4501-12-12)
14	1	7288TK	Line Assembly -Stationary
15	1	7293	Pin- Cylinder to Beam
16	2	NB642	COTTER - HAIRPIN #23-09 .093 X 1 13/16
17	1	12669	BOLT - 1/2-13 X 3 1/4 GR8 ALLOY ZY
18	2	TR150W	Washer, Front Wheel (Heat Trtd)
19	1	NB121	1/2-13 2-Way Jam Lock Nut
20	1	NB151	BOLT
21	1	NB688	Nut - 1/2 -13 Nyloc, Jam
22	1	H11	Safety Hitch Pin

ENGINE DETAIL

MODEL LS11528HP

ITEM NO.	QTY.	PART NO.	DESCRIPTION
1		N/A	ENGINE
2	1	NB452N	Bolt - 7/16-20 X 1 HCF GR5 ZP Nylock
3	1	NB312	5/16-18 X 1/2 SSC With Loctite H
4	4	NB170	NUT - 5/16-18 SERR FLANGE
5	4	NB505	313-18 X 1.50 BOLT
6	1	9031	1/4" X 1" Key Stock
7	1	699	WASHER - BELLEVILLE 7/16 X 1 1/4
8	1	BB105	ENGINE PULLEY 4.25 OD 1-1/4 ID
9	1	BB105SL	TUBE, SPACER 1.010 ID X .440 LONG
10	1	689L	TUBE, SPACER 1.06 ID X 1.500 LONG
Not Shown	1	6FLC	Clamp - Fuel Line Hose
Not Shown	1	7414	Valve - Fuel Shut Off (inline)
11	2	10914	1" x 1 1/2" x 14 GA





BELT ROUTING DIAGRAM

(VIEWED FROM UNDERSIDE OF SPLITTER)

TROUBLESHOOTING

Problem	Cause	Remedy
Engine fails to start.	1. Spark plug wire disconnected.	1. Connect wire to spark plug.
	2. Fuel tank not full enough or stale fuel.	2. Fill tank full with clean, fresh gasoline.
	3. Throttle control lever not in correct starting position.	3. Move throttle lever to FAST position.
	4. Choke not in CHOKE position.	4. Move choke to CHOKE position.
	5. Engine not primed properly.	5. Prime engine.
	6. Fuel valve not ON or blocked fuel line.	6. Turn on fuel valve or clean fuel line.
	7. Faulty spark plug.	7. Clean, adjust gap, or replace spark plug.
Engine is hard to start or runs erratic.	1. Spark plug wire loose.	1. Connect and tighten spark plug wire.
	2. Unit running on CHOKE.	2. Move choke lever to OFF position.
	3. Blocked fuel line or stale fuel.	3. Clean fuel line; fill tank with clean, fresh gasoline
	4. Water or dirt in fuel system.	4. Drain fuel tank. Refill with fresh gasoline.
	5. Dirty air cleaner.	5. Clean or replace air cleaner.
	6. Carburetor out of adjustment.	6. See authorized service center.
Cylinder rod will not extend or contract.	1. Cold weather clutch not engaged.	1. Engage cold weather clutch.
	2. Broken or improperly installed belt.	2. Replace or reinstall belt.
	3. Low hydraulic fluid.	3. Fill hydraulic tank to correct fluid level.
	4. Hydraulic lines blocked.	4. Flush and clean hydraulic system.*
	5. Damaged or broken pump.	5. See authorized service center.
	6. Damaged control valve.	6. See authorized service center.
Cylinder rod is slow or erratic while extending and contracting.	1. Low hydraulic fluid.	1. Fill hydraulic tank to correct fluid level.
	2. Contaminated hydraulic fluid.	2. Drain fluid, flush system, and refill.
	3. Excessive pump inlet vacuum.	3. Make certain pump hoses are clear and unblocked. Make certain hose in not collapsing under suction.
	4. Damaged pump.	4. See authorized service center.
	5. Damaged control valve.	5. See authorized service center.
	6. Internal cylinder damage.	6. See authorized service center.
Leaking Cylinder	1. Broken seals.	1. See authorized service center.
	2. Scored cylinder.	2. See authorized service center.

SPECIFICATIONS

Splitting Force	28 Tons
Engine	11.5 HP Briggs and Stratton
Splitting Positions	Horizontal and Vertical
Cylinder Size	4.5" X 24"
Pump	2 Stage with Heavy Duty Bearings
Pump Specs	16 Gallons Per Minute
Valve	Auto Return
Drive System	Belt Drive 1:1 Ratio with Clutch for Easy Starting
Hydraulic System Fluid Capacity	18-22 Quarts
Maximum Log length	25 1/2"
Tire Specs	4.00 X 4.80 X 8 with High Speed Bearings
Metal Fenders	No
Ball Hitch	2" Ball
Unit Weight	525 Lbs



SWISHER HISTORY

Back before electricity came to rural Missouri Max Swisher was producing lawn mowers from his mother's chicken house. Max never liked to mow grass. He installed a gearbox on his family's lawn mower creating a self-propelled unit. By tying one end of a rope to the mower and the other end to a tree in the center of the yard the mower circled the tree, shortening the rope and guiding the mower in concentric circles. Max enjoyed relaxing under a shade tree while his invention did all the work.

Max had designed his first self-propelled rotary lawn mower to do his dirty work for him. Neighbors noticed his new invention and began asking him to make more. Today, 60 years later, Swisher is still producing innovative lawn and garden and ATV/UTV equipment designed to give us all more "relaxing in the shade" time.

Swisher products have been featured nationally on television programs such as Regis and Kathie Lee and seen in publications like ATV Magazine, Country Journal, Popular Mechanics Magazine and others. In January 2000 Popular Mechanics Magazine named Max's zero turning radius riding mower one of the 20th century's top household inventions.

Swisher offers value and function in its products to meet your grounds maintenance needs.

CELEBRATING OVER 60 YEARS OF INNOVATION

SINCE 1945





OWNER'S MANUAL

**MODEL NO.
LS11528HP**

LOG SPLITTER

HOW TO ORDER REPAIR PARTS:

Each Log Splitter has its own serial number. Each engine has its own serial number. The serial number for the Log Splitter will be found on the right hand side of the hydraulic oil reservoir. The serial number for the engine will be found on the top of the blower fan housing.

All Log Splitter parts listed herein may be ordered directly from Swisher, your nearest Swisher dealer, or from our website.

All engine parts may be ordered from the nearest dealer of the engine supplied with your log splitter. Parts subject to change without notice.

WHEN ORDERING PARTS, PLEASE HAVE THE FOLLOWING INFORMATION AVAILABLE:

- * PRODUCT – SWISHER LOG SPLITTER
- * SERIAL NUMBER - _____
- * MODEL NUMBER - _____
- * ENGINE MODEL NUMBER - _____
TYPE - _____
- * PART NUMBER
- * PART DESCRIPTION

www.swisherinc.com
TELEPHONE - 1-800-222-8183
FAX - 1-660-747-8650

SWISHER
1602 CORPORATE DRIVE
WARRENSBURG, MO 64093

SWISHER