



Plow Marker Kit # 2960

Installation instructions

1. New Blade will have to have two holes drilled $21/64$ Dia. (8.5 mm) Locate from each upper corner as shown in Fig. 1
2. Install Mount Stud as shown. Tighten securely. Thread the plastic marker tube onto the mounting stud

Part	Description	No.
1	Marker Tube-Red	2951
2	Mount Stud	2955
3	Washer	NB556
4	Nylok Nut	NB181
5	Cap	AS123

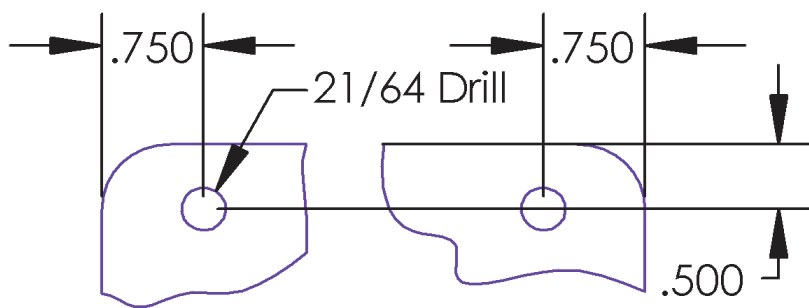
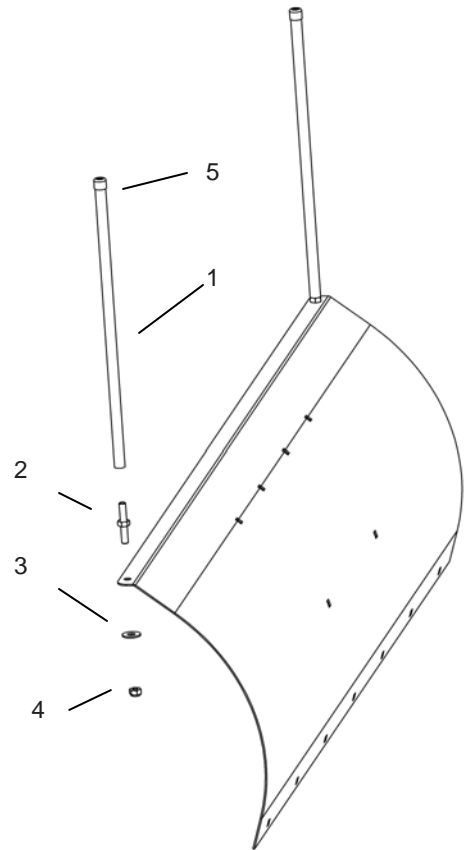


Fig. 1



1602 Corporate Dr. PO Box 67 Warrensburg, MO 64093

2961 04-271

Phone: 660.747.8183 Fax: 660.747.8650